

## TABLE OF CONTENTS

Warning . . . . .	2
Voltage adaptation . . . . .	2
Precautions . . . . .	3
Location and function of controls . . . . .	4
Connections . . . . .	6
Recording . . . . .	8
Playback . . . . .	9
Erasing . . . . .	9
Dolby NR recording . . . . .	9
Timer-activated recording and playback . . . . .	10
Mic and line mixing . . . . .	10
Memory counter operation . . . . .	10
Maintenance . . . . .	11
Notes on the ELCASET . . . . .	12
Features . . . . .	12
Specifications . . . . .	13
ELCASET—A new audio recording system . . . . .	13
Trouble checks . . . . .	15

## FOR THE CUSTOMER IN THE UNITED KINGDOM

### WARNING

This apparatus must be earthed at the terminals in your 3-pin plug as follows:

#### IMPORTANT

The wires in this mains lead are coloured in accordance with following code :

Green-and-yellow : Earth (safety earth)

Blue : Neutral

Brown : Live

As the colours of the wires in the mains lead of this apparatus may not correspond with the coloured markings identifying the terminals in your plug, proceed as follows :

The wire which is coloured green-and-yellow must be connected to the terminal in the plug which is marked with the letter E or by the safety earth symbol  $\equiv$  or coloured green or green-and-yellow. The wire which is coloured blue must be connected to the terminal which is marked with the letter N or coloured black. The wire which is coloured brown must be connected to the terminal which is marked with the letter L or coloured red.

### WARNING

To prevent fire or shock hazard, do not expose the unit to rain or moisture.

To avoid electrical shock, do not open the cabinet. Res servicing to qualified personnel only.

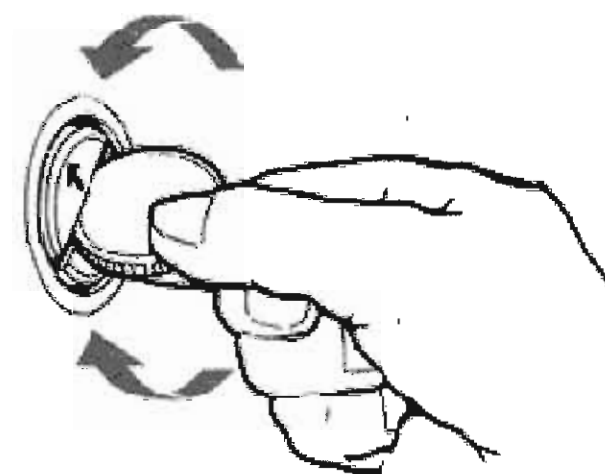
### VOLTAGE ADAPTATION

Before connecting the unit to the power source, check that the voltage selector setting is correct for your power supply. (The voltage selector is located on the rear panel.)

If the selector must be reset, change the setting as follows

**WARNING: Check that the ac power cord is disconnected**

Turn the selector with a coin so that the arrow mark of selector points to the proper voltage figure.



# PRECAUTIONS

## On safety

- Before operating, be sure the operating voltage of your unit is identical with that of your local power supply.
- Should any liquid or solid object fall into the cabinet, unplug the unit and have it checked by qualified personnel before operating it any further.
- Unplug the unit from the wall outlet if it is not to be used for an extended period of time. To disconnect the cord, pull it out by the plug. Never pull the cord itself.

## On installation

- Good air circulation is essential to prevent internal heat buildup in the unit. Place the unit in a location with adequate air circulation.
- Do not install the unit in a location near heat sources such as radiators or air ducts, or in a place subject to direct sunlight, excessive dust or mechanical vibration.
- The tape deck is designed for vertical operation only.

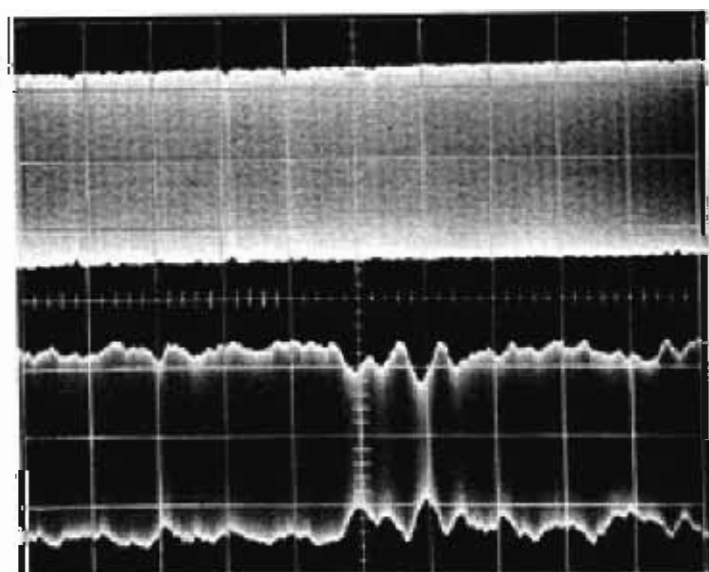
## On head cleaning

The best performance of your tape deck depends on your periodic cleaning of the heads and all surfaces over which the tape travels. Dirty heads and tape path cause:

- Loss of high frequency response
- Loss of sound volume
- Sound drop-out, etc.

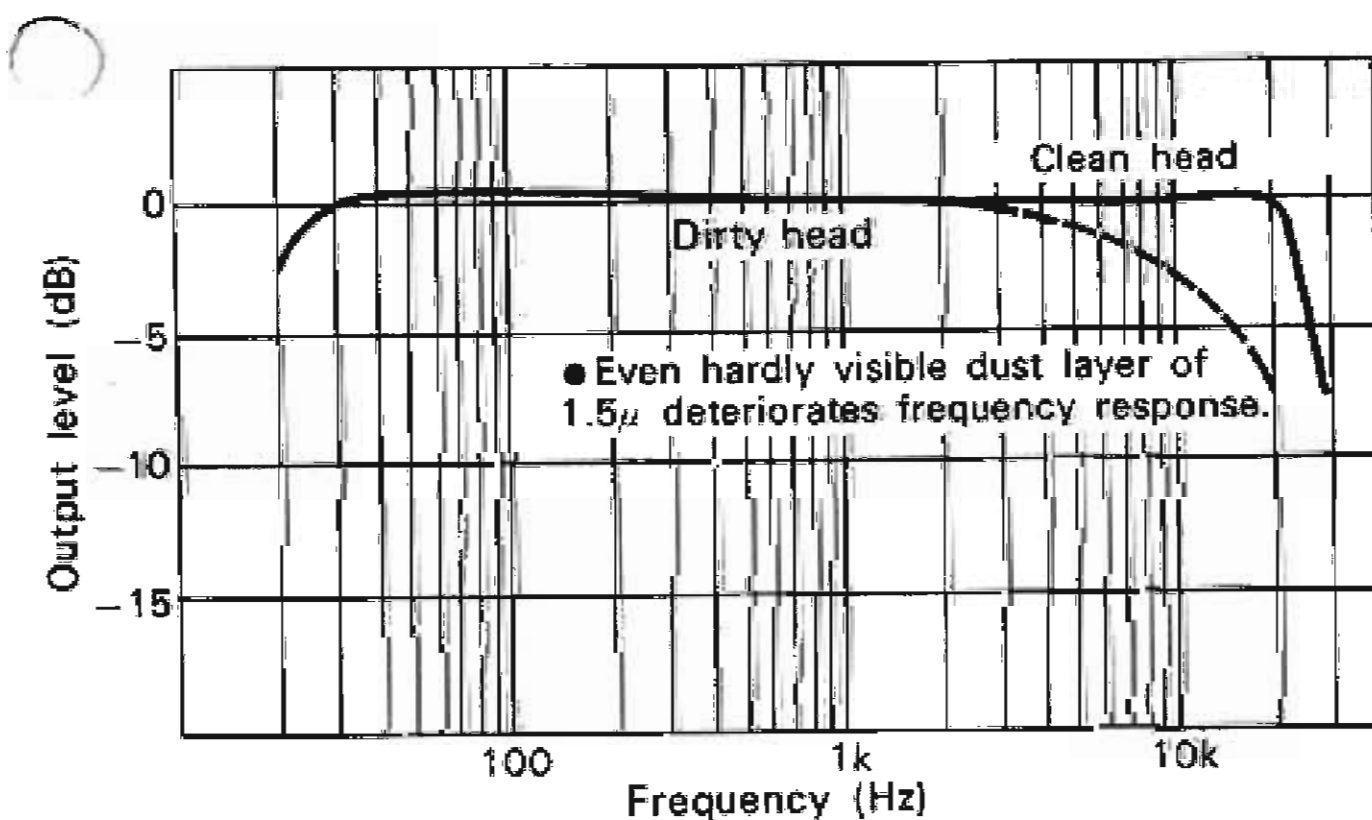
Cleaning should be done every after 10 hours of operation. For details, see "MAINTENANCE" on page 11.

Playback waveform at 10 kHz



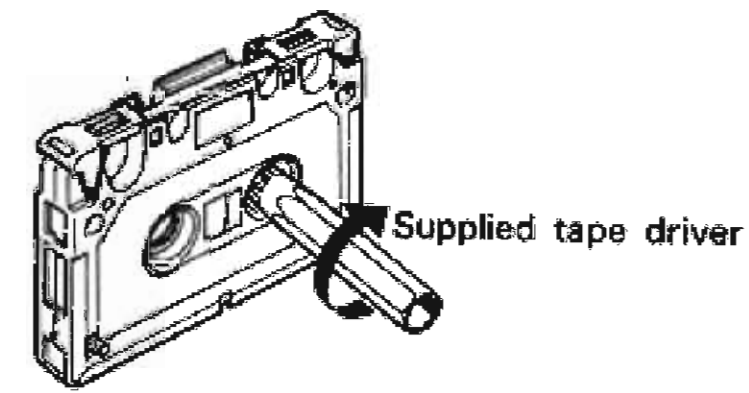
By clean head

By dirty head  
The output level fluctuates.

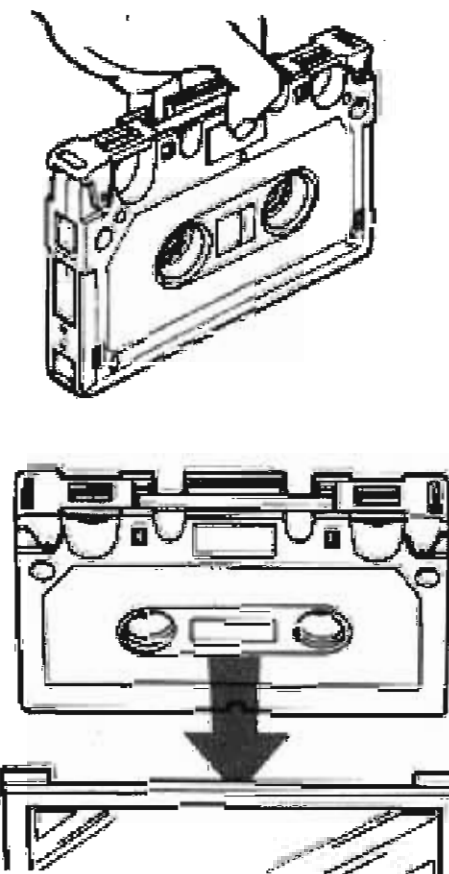


## On ELCASET

- Before inserting the ELCASET, take up the slack of the tape to prevent it from becoming entangled around the capstan.



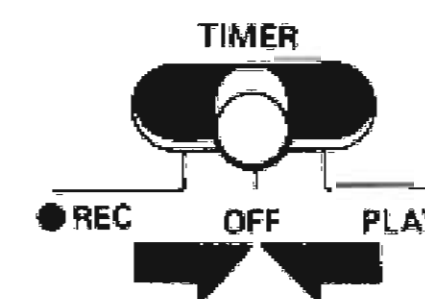
- Hold the ELCASET as illustrated and face its tape surface up when inserting it in the tape deck. Avoid touching the tape surface or pulling it out of the tape housing.



For more information on the ELCASET, see pages 12 and 13.

## Other important points to remember

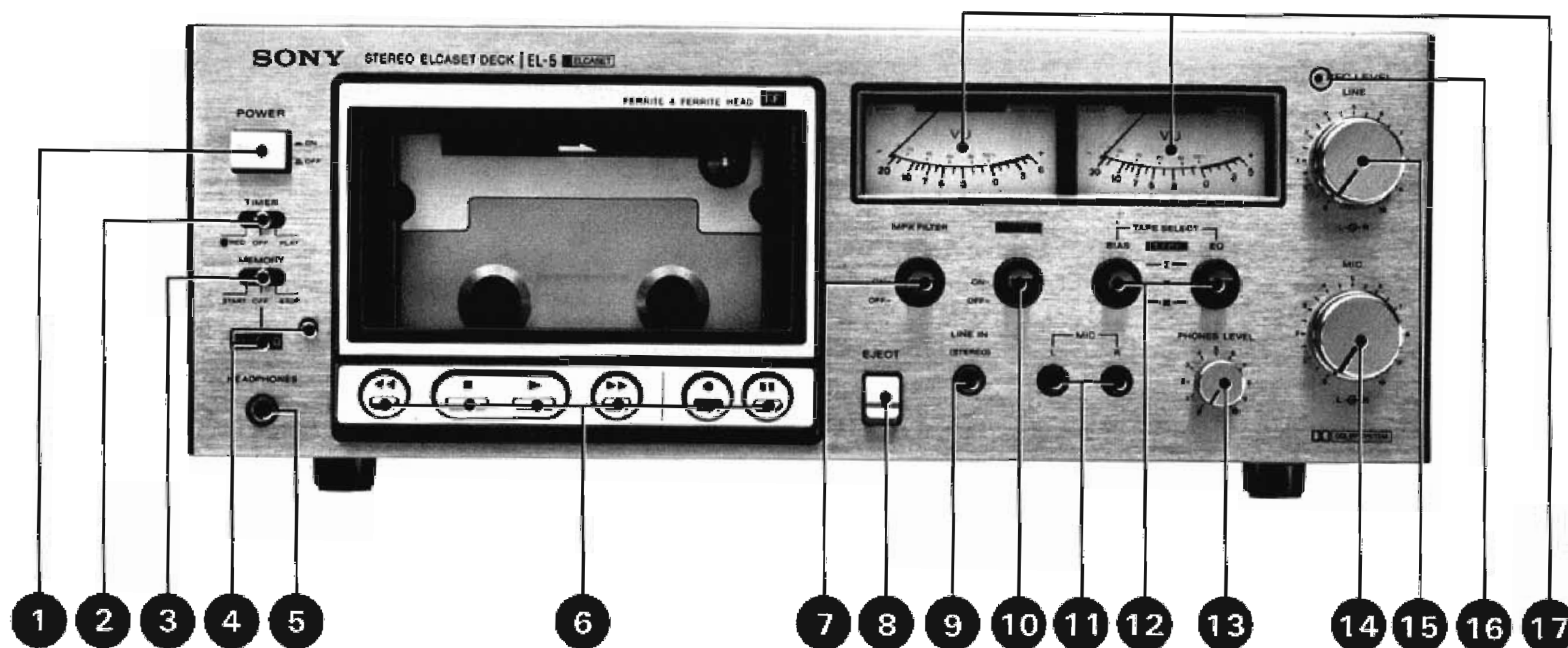
- Before depressing the POWER switch, check to see that the TIMER switch is set at OFF. This switch should be placed to REC or PLAY for timer-activated operation.



- Gently close the lid of the ELCASET holder to its locked position to protect the tape from damage.
- The EJECT button is not depressed while tape is running.
- Turn down the REC LEVEL controls (MIC or LINE) not in use while recording.



# LOCATION AND FUNCTION OF CONTROLS



## ❶ POWER switch

This turns the power on or off. The VU meters will light when the unit is turned on.

## ❷ TIMER switch

Automatic recording and playback at any desired time is possible using a commercially available timer. For recording, set the switch at REC position (the red lamp will light up); for playback, set the switch at PLAY position. (See "Timer-activated recording and playback" on page 10.)

● Be sure to set the switch at OFF position when the timer is not used. Otherwise the previous recording will be erased if the power is turned on with the TIMER switch set at REC position.

## ❸ MEMORY switch

When the cassette is rewound to "000" of the tape counter (actually "999" in order to avoid cutting the starting point of the tape), the tape motion stops from rewind mode with the switch set at STOP position, or the replay from rewind will begin with the switch set at START position. (See "Memory counter operation" on page 10.)

## ❹ Tape counter and reset button

At start of recording, depress the reset button. The figures on the tape counter change as the tape passes. Note the counter number for later reference.

## ❺ HEADPHONES jack

Insert 8—32 ohm headphones to monitor the input signals to be recorded or to listen to playback sound. The volume is adjusted with the PHONES LEVEL control.

## ❻ Function buttons

● Rewind button [◀◀]: Depress this button for rewinding the tape.

● Stop button [■]: To stop the tape motion, depress this button. When a tape is all wound in any operating mode, the motor will stop automatically.

● Forward button [▶]: Depress this button for playing back the tape. For recording, depress this button and the ● button simultaneously.

● Fast-forward button [▶▶]: Depress this button for fast winding of the tape.

● Record button [●]: To start recording, depress this button and the ▶ button simultaneously.

● Pause button [■]: To momentarily pause during recording or playback, depress this button. To restart, depress it again. Also, use this button for smooth start of recording. (See "Recording" on page 8.)

**7 MPX FILTER switch**

Set this switch at ON position only when recording FM stereo programs with Dolby NR process. When recording other programs, set the switch at OFF position. This switch is inoperative in playback mode.

**8 EJECT button**

Depress this button to open the cassette holder lid. It cannot be depressed when the tape is in any operating mode.

**9 LINE IN (STEREO) jack**

Use this stereo binaural jack as an auxiliary input for recording from another tape recorder or tuner, etc. If the LINE IN jacks on the rear panel are engaged at the same time, you can only record through this jack.

**10 DOLBY NR switch\***

For recording and playback with the Dolby NR process, set it to ON. For non-Dolby NR processed recording and playback, set it to OFF.

\* "Dolby" and the double-D symbol are trade marks of Dolby Laboratories Inc. Noise reduction system manufactured under license from Dolby Laboratories Inc.

**11 MIC jacks**

Any high-quality low-impedance microphone equipped with a phone plug may be used. If your microphone is equipped with a mini plug, a plug adaptor for converting to phone plug is required.

**12 TAPE SELECT switches**

On recording, set the EQ (for the correct equalization characteristics) and BIAS (for the optimum bias current) switches correctly according to the type of tape to be used. The type is indicated on the label of the ELCASET.

The switches have no effect upon the playback.

TYPE I for Sony SLH tape

TYPE II for Sony FeCr tape

TYPE III CrO<sub>2</sub> type of tape

**PHONES LEVEL control**

This control adjusts the output level of headphones. At "0" position, the sound will still be heard slightly.

**13 REC LEVEL-MIC controls**

These controls adjust the record level from the MIC jacks and REC/PB (DIN) jack. The inner knob is for the right channel and the outer for the left channel. Keep the controls turned fully to "0" when not in use.

**14 REC LEVEL-LINE input controls**

These controls adjust the record level from the LINE IN jack(s) on both front and rear panels. The inner knob is for the right channel and the outer for the left channel. Keep the controls turned fully to "0" when not in use.

**15 Record indicating lamp**

This lamp will light up when the record button is depressed.

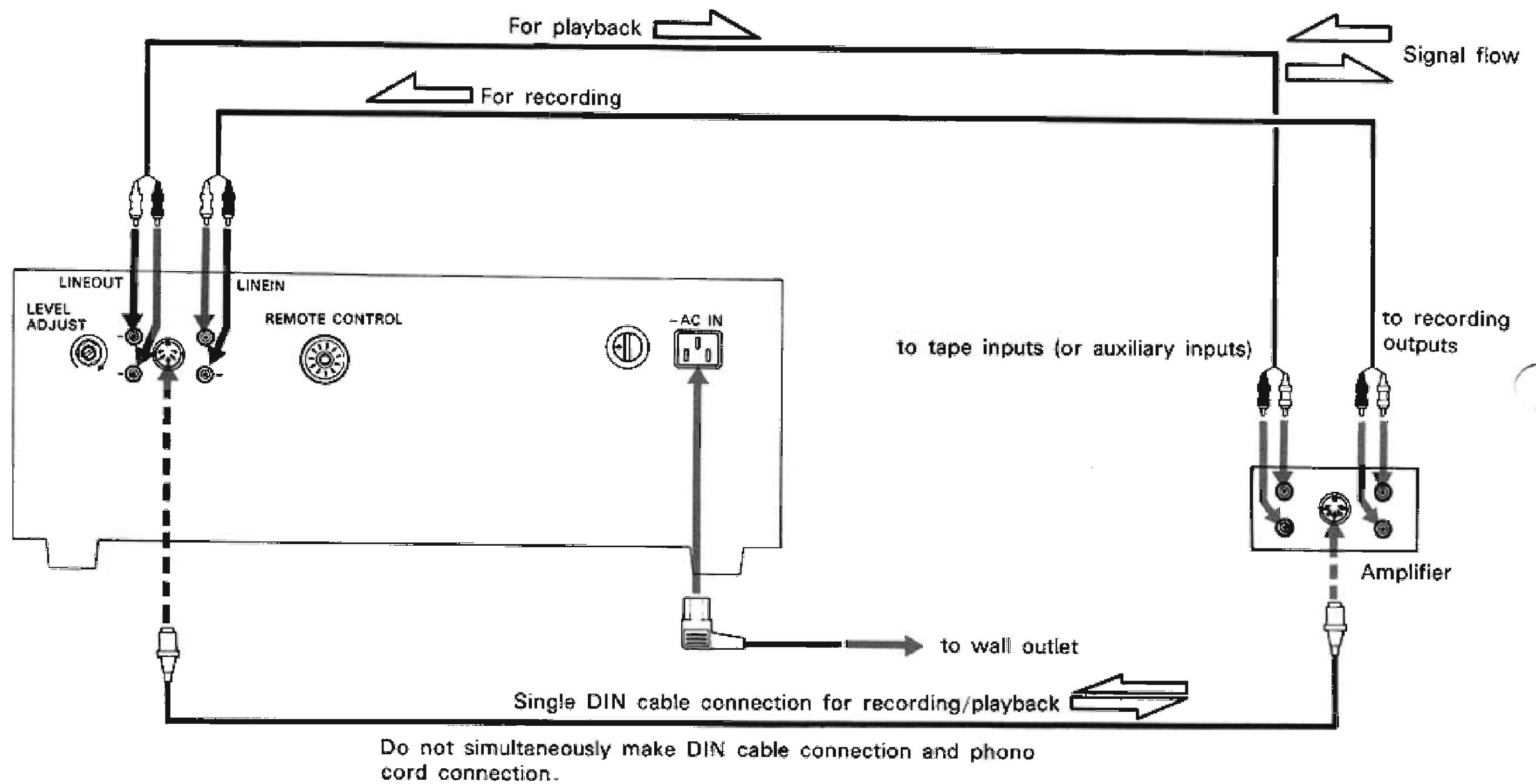
**16 VU meters**

The meters show the input level of each channel during recording and recorded level in the playback mode.

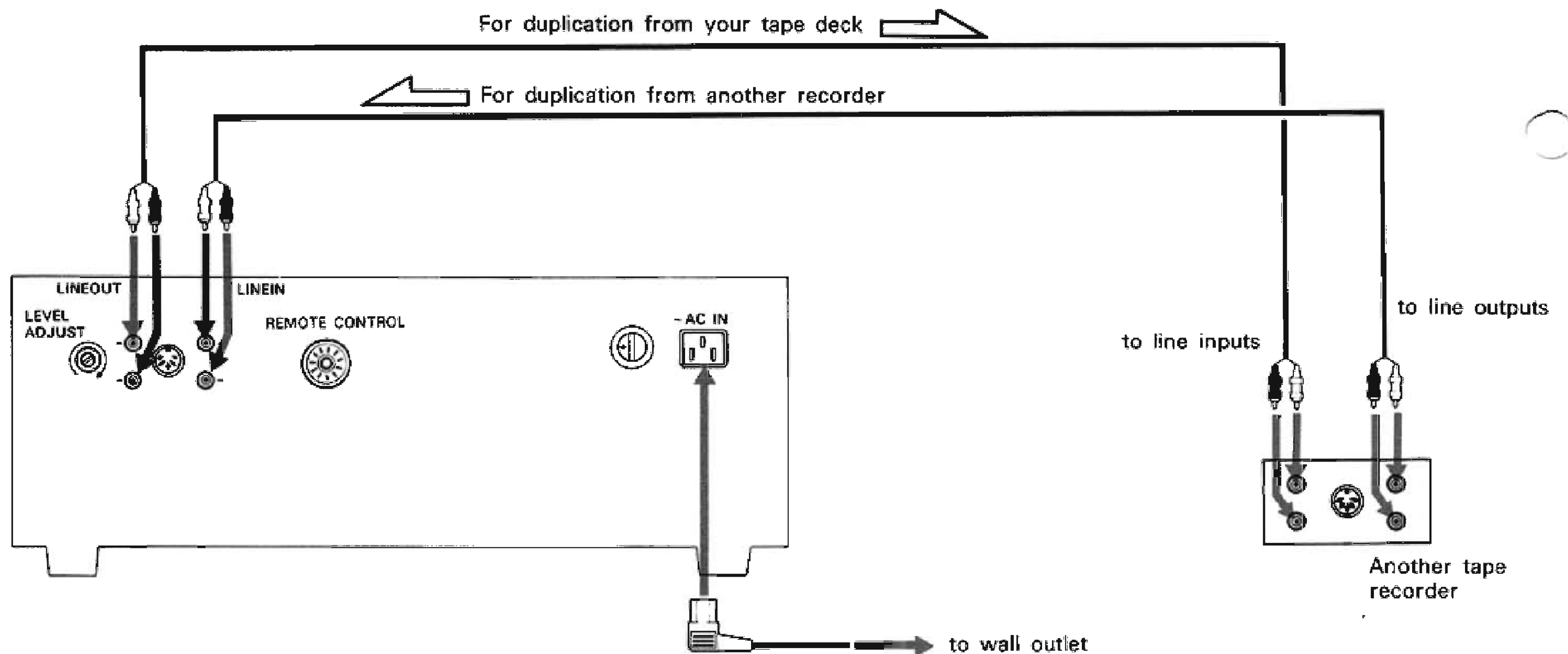
# CONNECTIONS

- Turn off the amplifier while making connections.
- Insert the cable connectors completely into jack. Loose connections may cause hum and noise.
- The red plug of the supplied connecting cord should be connected to the right channel and gray plug to the left channel.

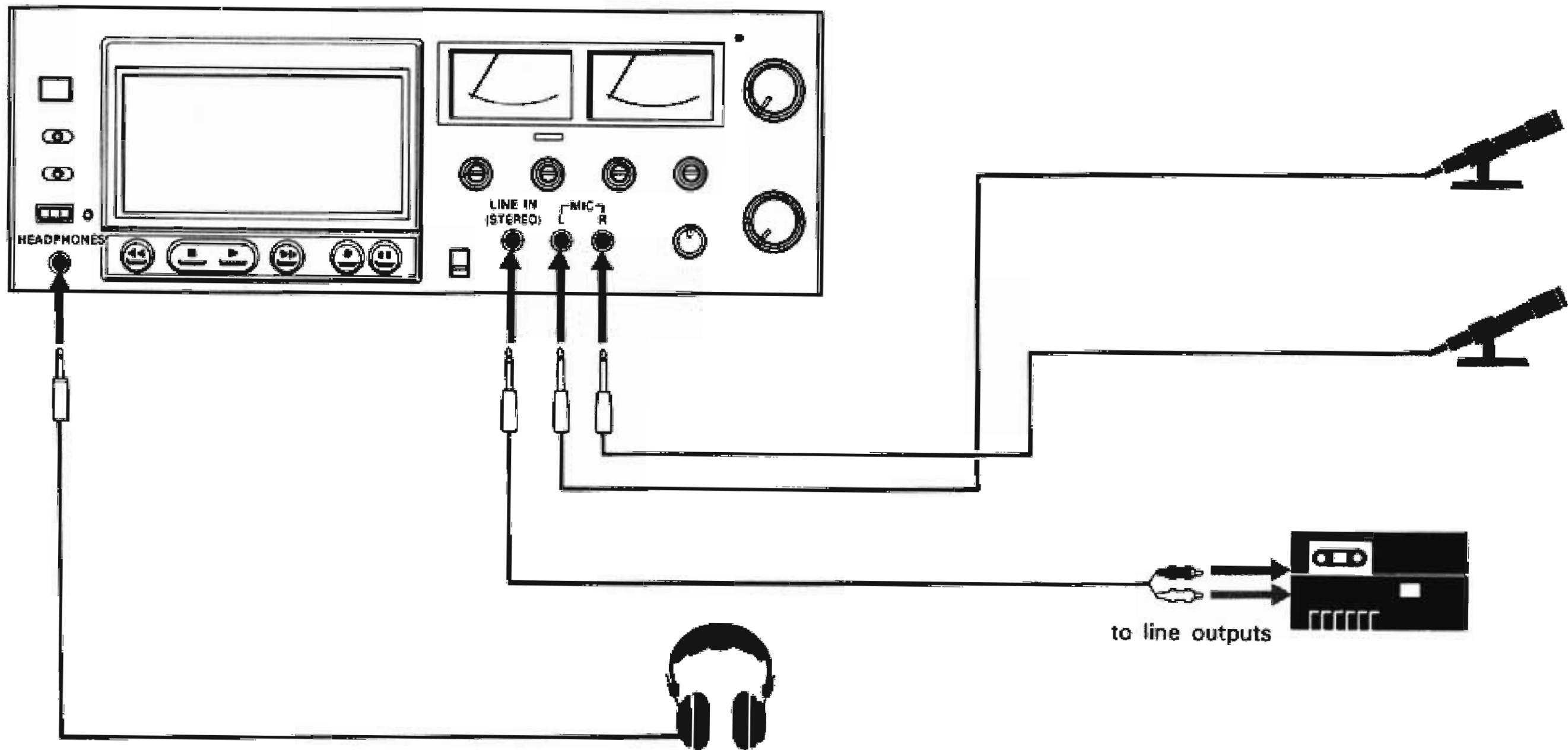
## Amplifier connection



## Tape duplication connection



## Connection on front panel



### LEVEL ADJUST control

The output level of the tape deck phono jacks can be set to correspond accurately to the output level of other sources connected to the amplifier. We recommend that you use FM or Phono mode as a reference point. While adjusting, do not change the volume control of the amplifier. At the position turned fully clockwise, the output level is rated 0.775 V (0 dB). The output level of the REC/PB jack is fixed at 0.775 V without relation to the position of the LEVEL ADJUST control. The control does not correspond to the VU meters.

### REC/PB (DIN) jack

- The phono cord connections are recommended, since it will result in better signal-to-noise ratio.
- Connection between amplifier DIN jack and tape deck phono jacks is not recommended, since their input and output sensitivity and impedance are not correctly matched.
- When recording through this jack, be sure to disconnect any input source from the MIC jacks. If both DIN and MIC jacks are engaged, only mic signals will be recorded. From the same reason, mixing of DIN inputs signals with mic signals is not possible.
- To directly connect both recorder DIN jacks, a DIN cable for tape duplication is required.

### REMOTE CONTROL connector

Connect the Remote Control RM-30 (optional) to this connector. The RM-30 features "record muting"\* as well as remote control operation. Read the RM-30 instruction manual before using it with the tape deck.

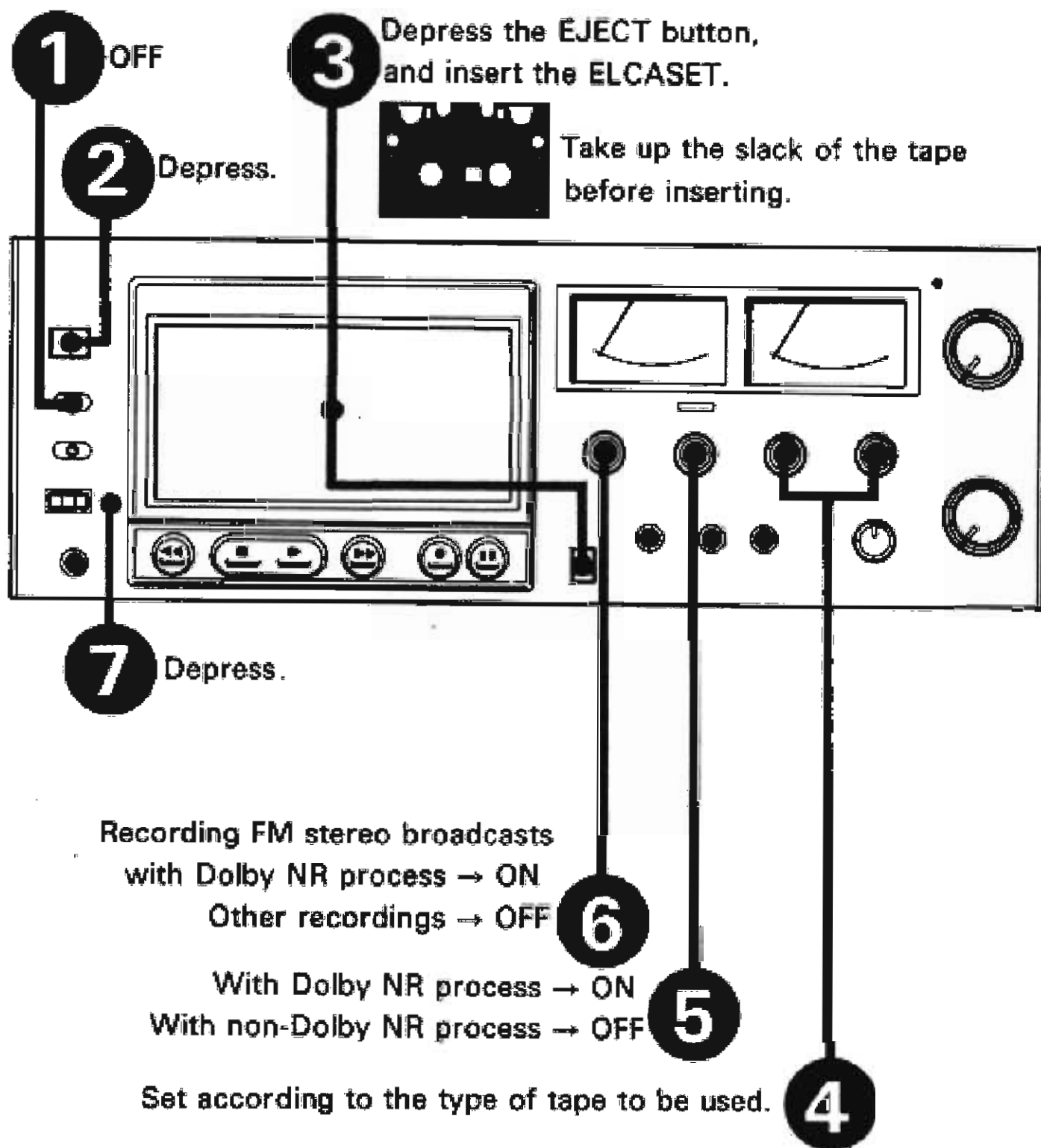
\* A device which is beneficial to short-circuit the unwanted program sources like broadcasting commercials, thus keeping moderate interspace among the recordings.

### Power connection

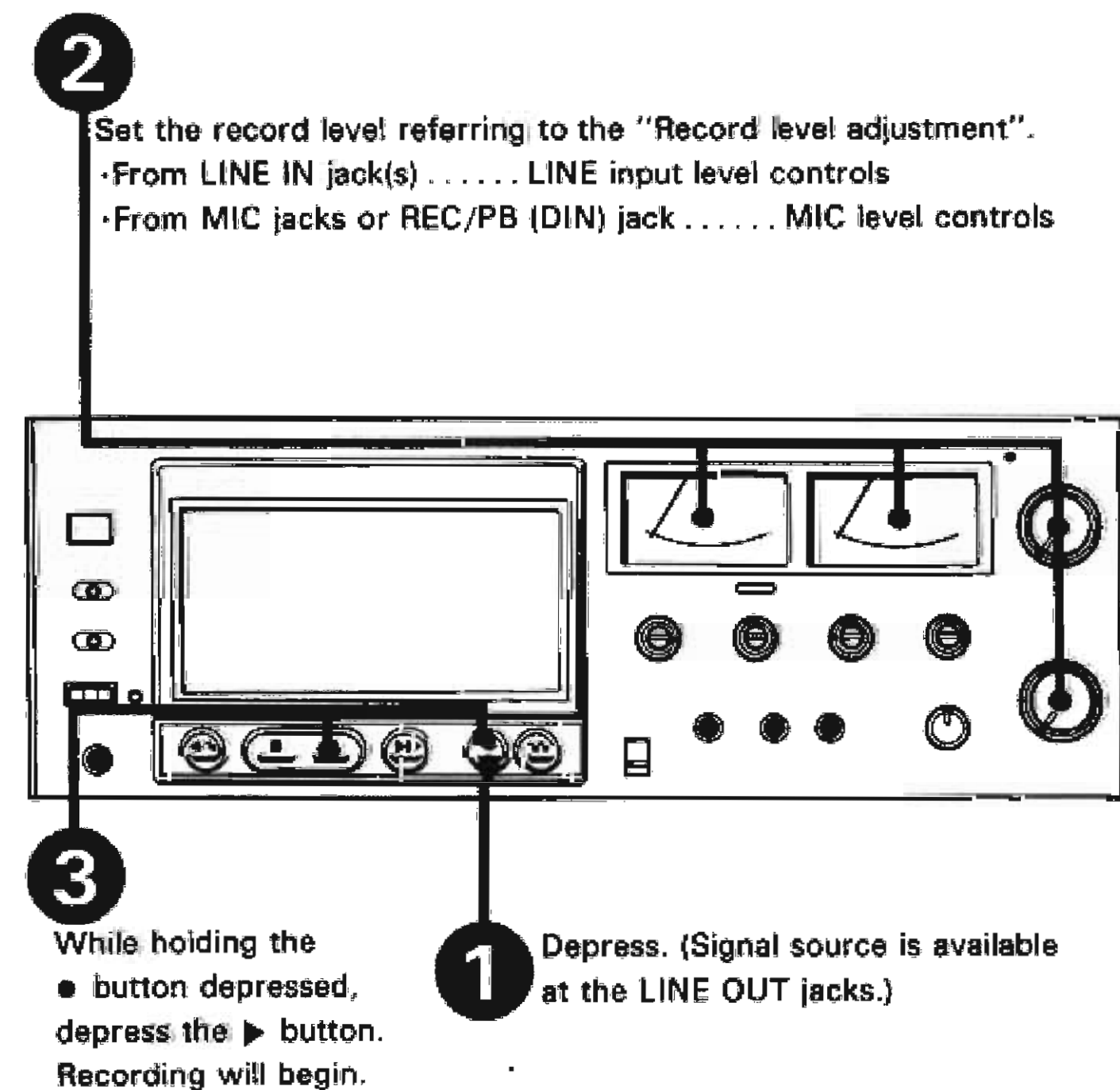
First plug the cord to the ~AC IN, then to a wall outlet.

# RECORDING

Set the controls as the numbers go before adjusting the record level.



Follow numbered diagram. Recording will begin.

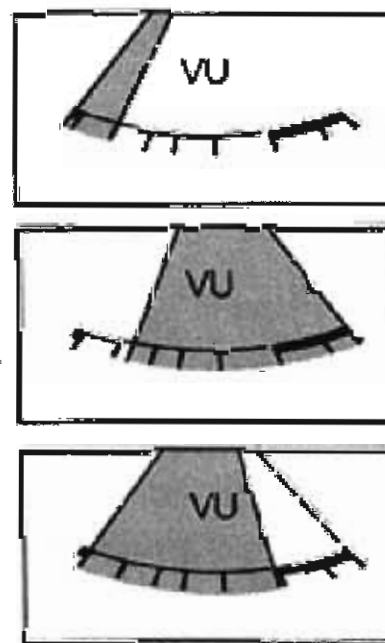


## Recording by using the pause [■] button

You can start recording more easily by using the [■] button. Instead of the step ①, depress the [■] button, and push the ● and ► buttons simultaneously. When you want to start recording, depress the [■] button again, then recording will start smoothly.

## Record Level Adjustment

Generally record level should be adjusted so that the pointers of the VU meters deflect as close as possible to 0 VU at the highest signal-level passage of the program to be recorded. The pointers may go over the 0 VU for an instance at sudden high level burst, but this is not a problem. In case of extreme short pulses, your ears might as well be unable to recognize distortion. However, the VU meters do not follow transient peaks of short duration because of their inertia, and show levels much lower than the actual levels. Sometimes the input level of the short strong pulses may actually become from +10 dB to +15 dB even if the meters read "0". You should be aware when recording such programs as contain the short strong pulses.



Too low setting (noisy tape)

Too high setting (distorted tape)

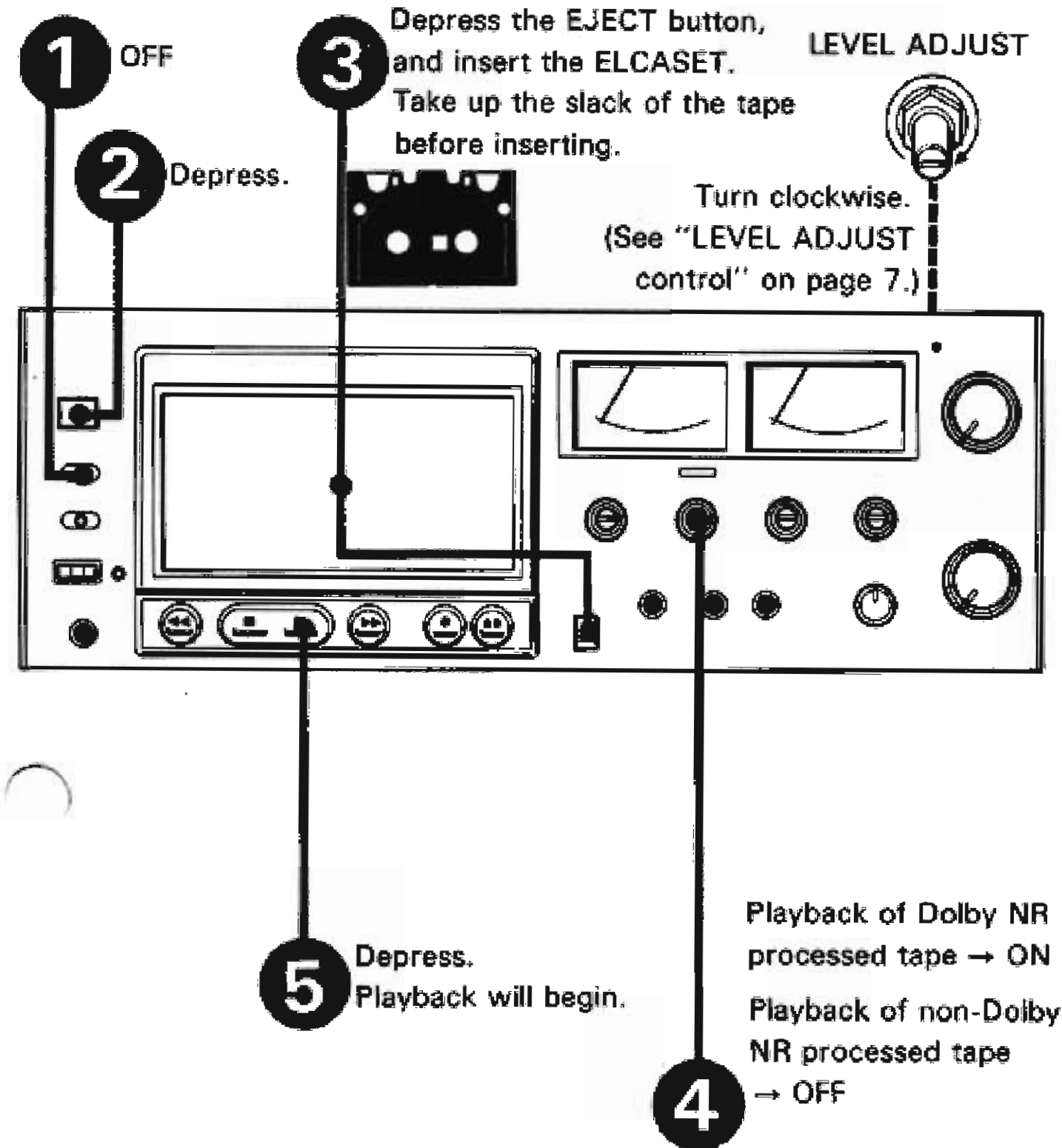
Proper setting

## Recording a new material while the tape is in motion

The tape deck may directly go from play to record while the tape is in motion. When playing back the tape, depress the ● button while pushing the ► button simultaneously. Recording will begin.

## PLAYBACK

Follow numbered diagram. Playback will begin.



## DOLBY NR RECORDING

### DOLBY NR switch

Through the Dolby NR record-playback process, tape hiss (offensive noise of high frequency) which occurs during recording is reduced and signal-to-noise ratio is remarkably improved. During recording, the Dolby NR system boosts low-level high-frequency signals and maintains the record level as far as possible from noise level. During playback, the same boosted signals are attenuated in a complementary way. As a result, noise level is reduced by the same amount as the boosted signal level. So the tape recorded with Dolby NR process should be played back with the DOLBY NR switch set at ON position.

### MPX FILTER switch

The FM stereo broadcasts contain 19 kHz FM pilot signal and 38 kHz subcarrier which may affect Dolby characteristics. The multiplex filter eliminates these signals to activate the Dolby NR circuits correctly. When recording FM stereo programs with Dolby NR process, be sure to set the MPX FILTER switch at ON position. For recording other programs, set the switch at OFF position.

## ERASING

When the tape deck is in the record mode, the erase head operates and previous recording is erased automatically.

To erase a tape without adding recording:

- 1 Be sure that the erasure-proof tab is not slid down.
- 2 Turn the REC LEVEL controls fully to "0". (If all inputs are disconnected, the more complete erasing will result.)
- 3 Set the BIAS switch according to the type of tape to be used.
- 4 Depress the ● and ► buttons simultaneously. Erasing will begin.



## TIMER-ACTIVATED RECORDING AND PLAYBACK

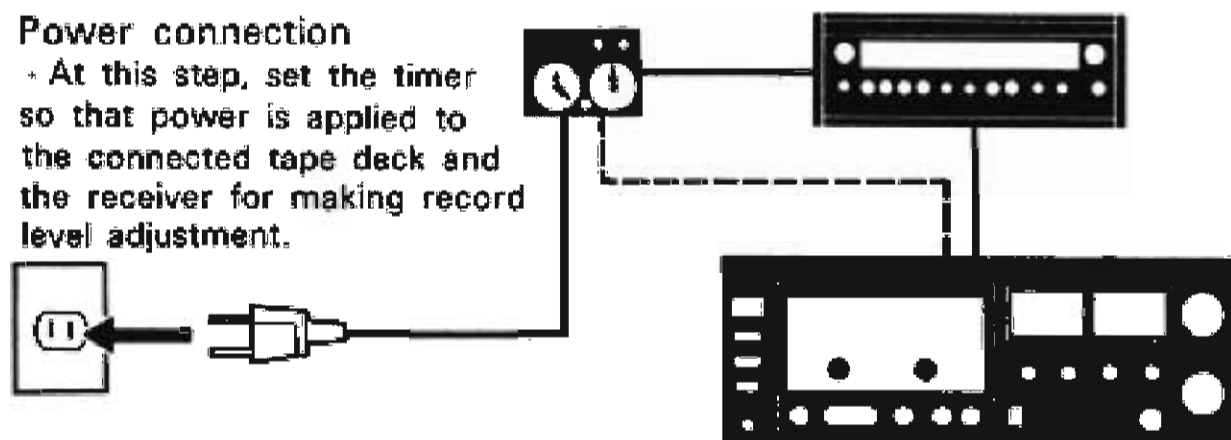
Automatic recording and playback at any desired time is possible using a commercially available timer. Continual operation may be accomplished with a timer designed to turn the recorder on and off any number of times.

### Recording

- 1 Make power connection between the tape deck, receiver and timer.

#### Power connection

At this step, set the timer so that power is applied to the connected tape deck and the receiver for making record level adjustment.



- 2 Turn on the receiver and tune in the station of the program to be recorded.
- 3 Set the tape deck TIMER switch to OFF.
- 4 Insert the ELCASET. (Note that erasure-proof tabs on the ELCASET are not slid down.)
- 5 Turn on the tape deck and adjust the record level.
- 6 Set the timer for the desired time. (All the equipments in link, at this time, are turned off.)
- 7 Set the tape deck TIMER switch to REC. The tape deck is now ready for automatic start of recording at the timer-set time.

### Playback

- 1 Connection of the playback is the same as that of the recording.
- 2 Set the tape deck TIMER switch to OFF.
- 3 Insert the recorded tape.
- 4 Turn on the tape deck, and set the amplifier controls for reproduction.
- 5 Set the timer for the desired time.
- 6 Set the tape deck TIMER switch to PLAY. The tape deck is now ready for automatic start of playback at the timer-set time.

### Notes

● Read the instruction manual of the timer carefully before using it.

● The TIMER switch is designed to trigger the timer-activated operation as soon as the power is ON and inoperative when the operation sequence is reversed. However in the latter case, if a moderate time (more than 1.5 seconds) is not allowed after the power is ON, the TIMER switch may mistrigger the timer operation. To avoid this, never handle the TIMER switch once it is set to REC or PLAY.

## MIC AND LINE MIXING

Mixing may be accomplished with the four independent LINE (for LINE IN jacks) and MIC (for MIC and REC/PB jacks) input level controls.

- 1 Connect the source program to their respective jacks.
  - 2 Adjust the record level by turning the respective controls. The VU meters indicate the composite record level. Headphone monitoring will help set the level for mixing.
  - 3 Start recording.
- When mixing is finished, do not forget to turn the level control not in use fully to "0".

## MEMORY COUNTER OPERATION

The MEMORY switch is used for precise program re-location, whether at the very beginning of the side or far into the recorded tape.

- 1 Locate a desired starting point and depress the reset button to register this starting point ("000" shown).
- 2 Set the MEMORY switch as follows:  
START: to replay the tape from rewind mode  
STOP: to stop the tape from rewind mode
- 3 Play (or record) the tape.
- 4 Depress the ◀◀ button to rewind the tape. The tape motion stops or plays back automatically at the tape counter reading "999" (one count before the "000" in order to avoid cutting the starting point of the tape).

### Notes

● To rewind the tape further than the "000" point, depress the ◀◀ button again.

● When using memory counter feature (for replay) from the beginning of the tape, wind up the transparent leader-tape portion where automatic shut off mechanism by photo electric method stops the tape tape motion before the tape counter reaches "000" reading.

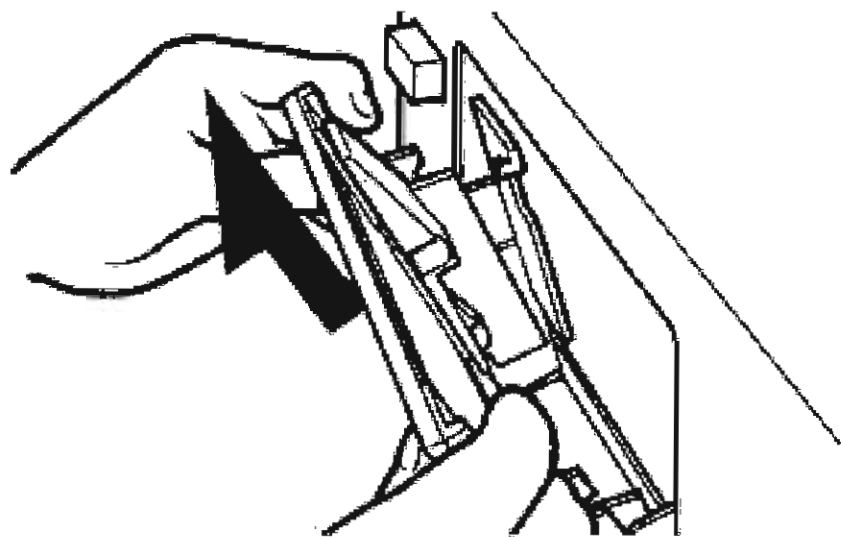
● If you keep depressing the ◀◀ button all the way to "999", the tape does not stop (or does not replay) at the tape counter reading "999". This occurs because the tape is still in the rewind mode.

# MAINTENANCE

## Cleaning of heads and tape path

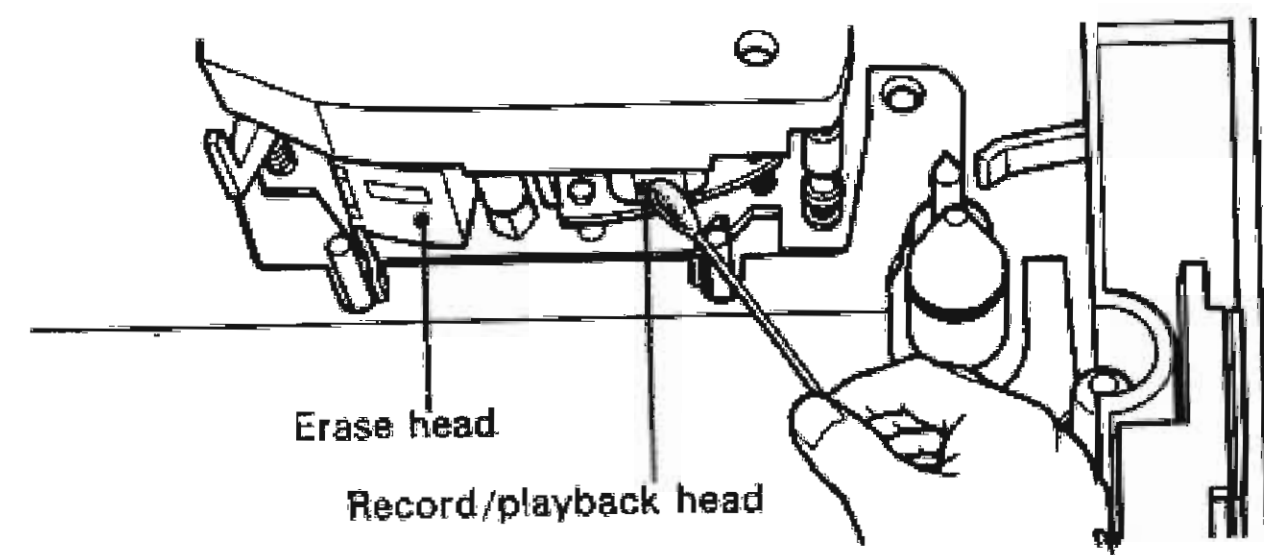
Generally, cleaning after every 10 hours of operation will be sufficient. However, all surfaces over which tape travels should be cleaned before making high quality recordings.

① Depress the EJECT button to open the ELCASET holder, and remove the lid.

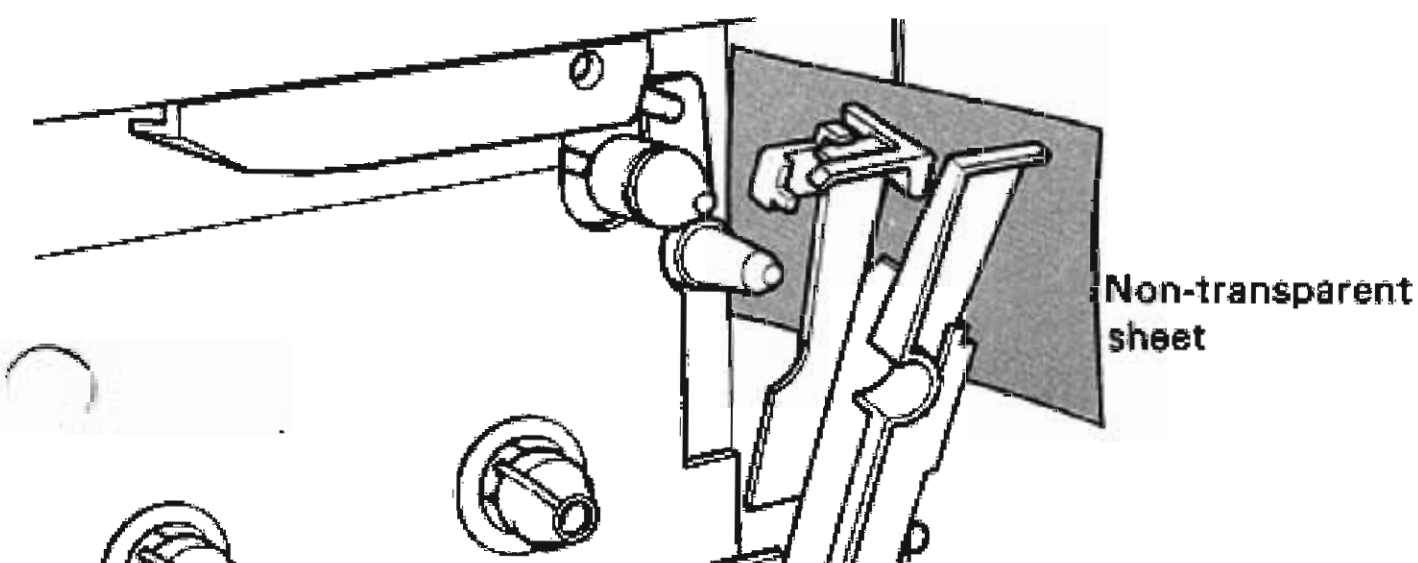


② Push the frame in.

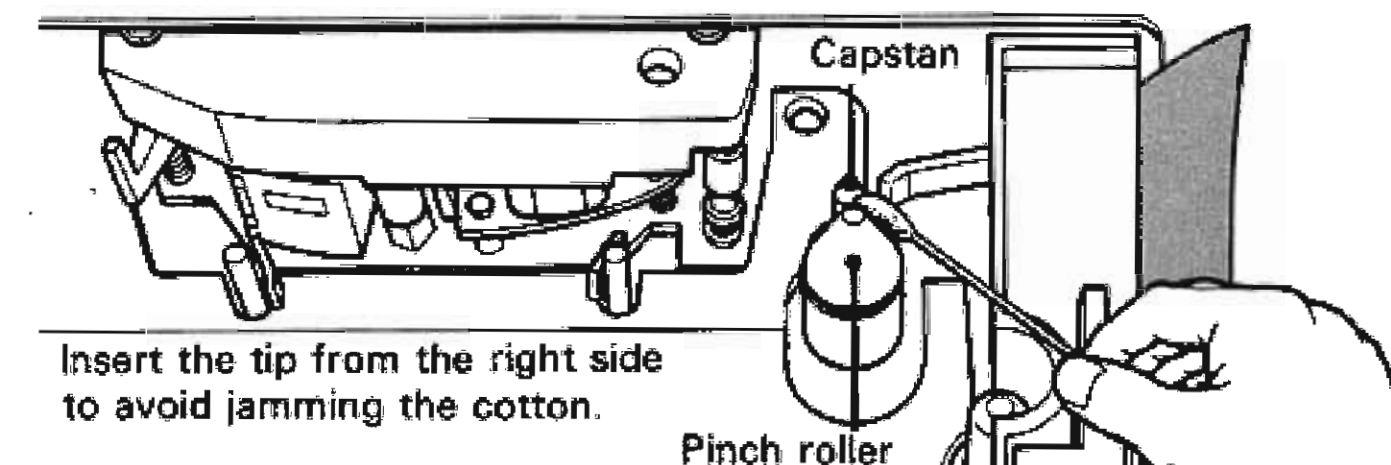
③ Wipe the heads with the cleaning tip slightly moistened with alcohol. (Squeeze excessive alcohol from the tip when too much moistened.)



④ Insert a non-transparent sheet as illustrated. This cuts off the light beam which is emitted from the guide pole and helps deactivate the automatic shut-off mechanism while cleaning.

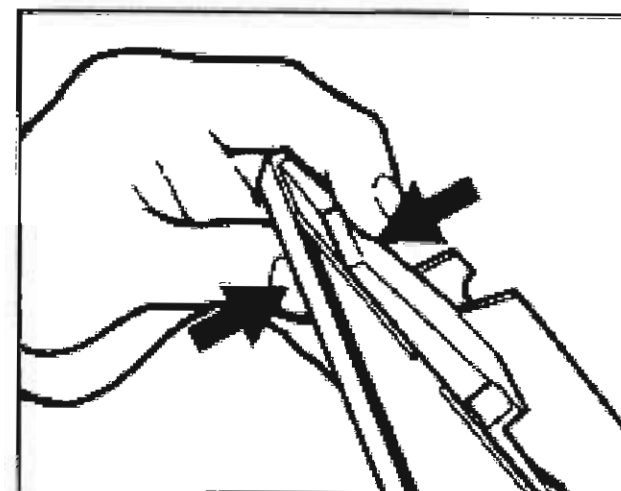


⑤ Set the POWER switch to ON and depress the ► button. Wipe the pinch roller and the capstan as they rotate.

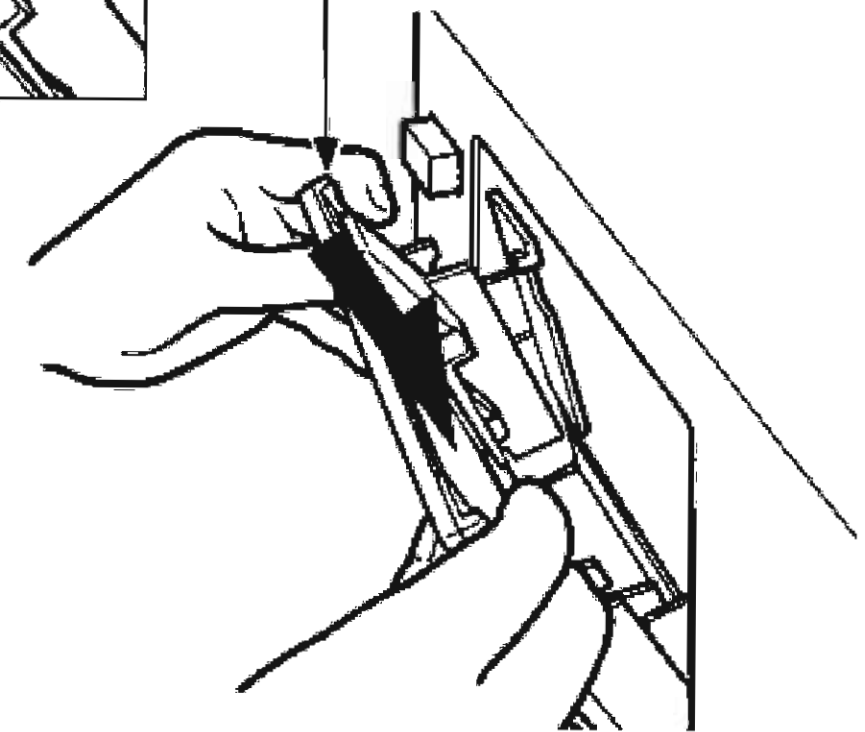


⑥ When the cleaning is finished, depress the ■ button.

⑦ Depress the EJECT button to replace the lid.



Match the lid and the frame as illustrated and slide the lid down.



● Do not insert the ELCASET until the alcohol on the cleaned parts is completely dry.

## Demagnetizing heads

Residual magnetism will gradually build up on the heads through continuous use and cause erasure of high frequencies and hiss build-up. The heads and metallic parts of the tape path should be demagnetized after 20-30 hours of operation with a commercially available head demagnetizer. Be sure the tape deck is turned off.

## Cleaning cabinet

Clean the cabinet, panel and controls with a soft cloth lightly moistened with mild soap solution. Do not use any type of scouring powder or solvent such as alcohol or benzine.

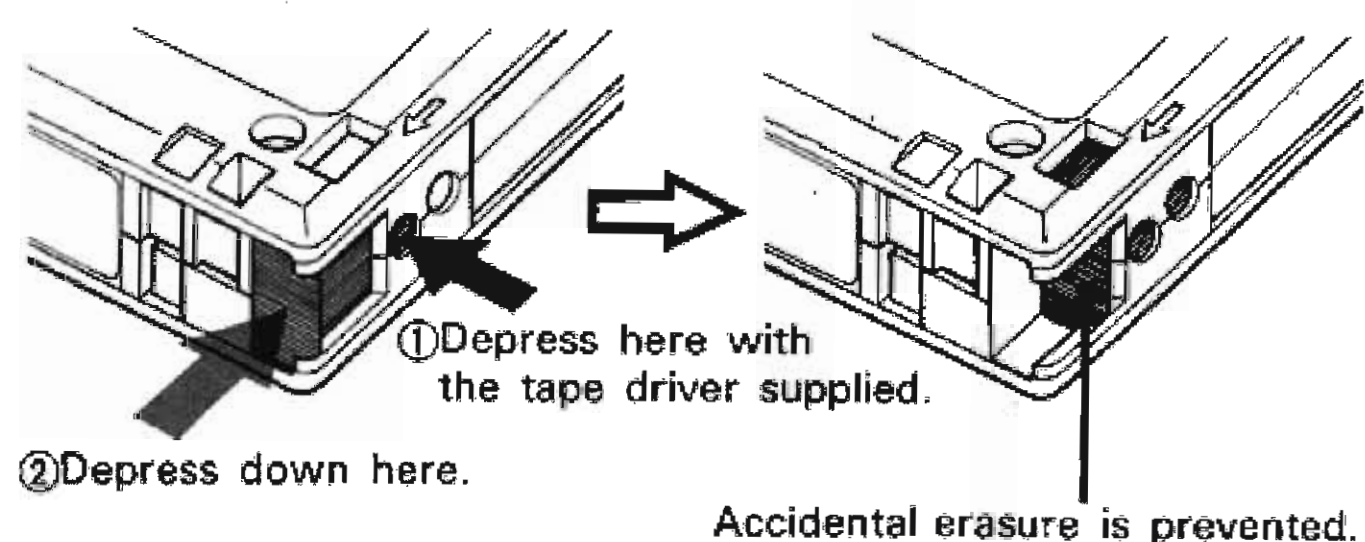
## Inside check

Consult your nearest Sony dealer once a year to maintain optimum performance.

## NOTES ON THE ELCASET

### Erase-proof tabs

To protect a recorded tape from accidental erasure, slide down the tab on the desired side (indicated by the arrow mark near the tab). Slide it up to record again on the tape.



### Care of the ELCASET

- Before inserting the ELCASET, take up the slack of the tape to prevent it from becoming entangled around the capstan.
- Hinged tape protectors and reel stoppers are provided in the ELCASET to protect the tape from damage. Careless handling of these parts will damage the tape itself.
- Avoid rewinding or winding in fast-forward mode just before storing the ELCASET as this may cause stretching of the tape edge if it is left over a period of time.
- Protect the ELCASET from excessive shock. Do not drop it.
- Keep the ELCASET away from magnetic equipment such as loudspeakers, amplifier, etc. as erasure or noise on your recorded tape could occur.
- Do not expose the ELCASET to direct sunlight, extreme cold temperature, or moisture.
- Protect the ELCASET from dust by storing in the case. Even minor dirt or dust could cause contamination of the heads resulting in noise and sound drop-outs.
- When not in use for a long period, run the tape occasionally to prevent the onset of print-through.

## FEATURES

The logic-controlled function buttons allow feather-touch and direct switching from any mode to another mode without affecting tape.

The high performance F & F (Ferrite and Ferrite) heads assure the longer head life and stable characteristics.

By direct coupling system, the head is connected directly to the FET in the first stage of the playback preamplifier, resulting in better signal-to-noise characteristics.

The timer-activated recording or playback function is provided.

Using the built-in Dolby NR system in record and playback process, tape hiss is significantly reduced, and signal-to-noise ratio is remarkably improved. A multiplex filter is incorporated to eliminate the 19 kHz FM pilot signal and 38 kHz subcarrier in recording FM stereo programs with Dolby process.

The PHONES LEVEL control adjusts the headphone volume to your desired level.

## SPECIFICATIONS

Power requirements	110, 120, 220 or 240 V ~, 50/60 Hz
Power consumption	44 W
Semiconductors	4 ICs, 82 transistors, 60 diodes, 2 FETs, 1 photo transistor
Tape speed	9.5 cm/s (3 3/4 ips)
Fast forward and rewind time	Approx. 75 seconds (by LC-60)
Recording system	4-track 2-channel stereo
Bias frequency	160 kHz
Signal-to-noise ratio	DOLBY NR OFF <ul style="list-style-type: none"> <li>● With Type II ELCASET (FeCr) <ul style="list-style-type: none"> <li>62 dB at peak level (NAB)</li> <li>62 dB (DIN, 1975 rev.)</li> <li>54 dB (DIN, old)</li> </ul> </li> <li>● With Type I ELCASET (SLH) <ul style="list-style-type: none"> <li>59 dB at peak level (NAB)</li> <li>59 dB (DIN, 1975 rev.)</li> <li>51 dB (DIN, old)</li> </ul> </li> </ul> DOLBY NR ON Improved by 5 dB at 1 kHz, 10 dB above 5 kHz
Total harmonic distortion	0.8%
Frequency response	DOLBY NR OFF <ul style="list-style-type: none"> <li>● With Type II ELCASET (FeCr) <ul style="list-style-type: none"> <li>15 - 25,000 Hz (NAB)</li> <li>25 - 20,000 Hz <math>\pm 3</math> dB (NAB)</li> <li>20 - 22,000 Hz (DIN)</li> </ul> </li> <li>● With Type I ELCASET (SLH) <ul style="list-style-type: none"> <li>15 - 23,000 Hz (NAB)</li> <li>25 - 18,000 Hz <math>\pm 3</math> dB (NAB)</li> <li>20 - 20,000 Hz (DIN)</li> </ul> </li> </ul>
Wow and flutter	0.06% WRMS (NAB) $\pm 0.12\%$ (DIN)
Inputs	Microphone inputs (phone jacks) . . . . 2 sensitivity 0.3 mV (-68 dB) for low impedance microphone Line inputs (stereo binaural jack) . . . . 1 (phono jacks) . . . . . 2 sensitivity 0.095 V (-18 dB) input impedance 100 k ohms
Outputs	Line outputs (phono jacks) . . . . . 2 output level 0.775 V (0 dB) at load impedance 100 k ohms with LEVEL ADJUST control turned fully clockwise suitable load impedance more than 10 k ohms Headphone output . . . . . 1 suitable load impedance 8 - 32 ohms
REC/PB jack	Input impedance less than 10 k ohms Output impedance less than 10 k ohms
Dimensions	Approx. 430 x 170 x 320 mm (w/h/d) (17 x 6 3/4 x 12 5/8 inches) Including projecting parts and controls
Weight	Approx. 10.5 kg (23 lbs 2 oz)
Supplied accessories	Connecting cord RK-74H (2) Head cleaning tip (1 set), Tape driver

While the information given is true at the time of printing, small production changes in the course of our company's policy of improvement through research and design might not necessarily be indicated in the specifications. We would ask you to check with your appointed Sony dealer if clarification on any point is required.

## ELCASET - A new audio recording system

In the audio market, the Compact Cassette of the Philips standard has been widely accepted and has been extended even to use in hi-fi recording as a result of its easy operation and advanced technical development. On the other hand, open-reel tape is still strongly supported by music and audio enthusiasts, for its high quality sound reproduction, which has been difficult to attain with the Compact Cassette.

Your "ELCASET" system not only realizes both the convenience of the Compact Cassette and the high sound quality of open-reel tape but also has the following advanced features.

### Wider dynamic range

The ELCASET tape is 6.3 mm (1/4 inch) wide and driven at a tape speed of 9.5 cm (3 3/4 ips). This results in more extended frequency and wider dynamic ranges (noticeable in higher audio range) than those of the Compact Cassette.

This ample headroom does make a difference in the reproduction of many recordings. (Fig. ①)

### Stable tape transport

In conventional Compact Cassette, tape is guided by tape guide roller in a cassette itself, and accuracy of tape travel is very much dependant upon precision of cassette shells. This has been an obstacle to achieve high performance in the Compact Cassette. In the ELCASET, tape is housed in a case but it is automatically pulled out by the transport mechanism of the recorders. Therefore, there is no influence over stableness of tape travel by precision of cassette shells. (Fig. ②)

### Compatible tape track pattern between stereo and monaural

The ELCASET has the same tape format as the Compact Cassette. This means tape is divided into two halves for side A and side B, each side permitting stereo or monaural recording and playback.

This track pattern assignment makes possible stereo and monaural between them.

The four-track tape width in the ELCASET is almost twice wider than the Compact Cassette and nearly equal to four-track open-reel tapes. This also attains excellent S/N ratio open-reel tapes are able to obtain.

### Tape protectors

The ELCASET has tape protectors at left and right front ends. When the ELCASET is out of recorders, protectors are closed to protect the tape. Protectors are opened automatically by tape deck for threading tape when the ELCASET is inserted in the tape deck and a function button is depressed (Fig. ③)

### Reel stoppers

Reel stoppers are also provided in the ELCASET to lock rotation of a reel hub to prevent tape from coming loose when the ELCASET is carried. The stoppers are automatically unlocked by recorders when the ELCASET is loaded on. (Fig. ④)

**Erase-proof tabs**

In the Compact Cassette, recorded tapes are protected from accidental erasure by removing a tab in a cassette. But once the tab is removed, the cassette is not used without covering the broken slot. In the ELCASET, the protection is done only by sliding tabs. (Fig. ⑤)

**Types of tape**

There are three different types of tape for the ELCASET which are indicated in the labels.

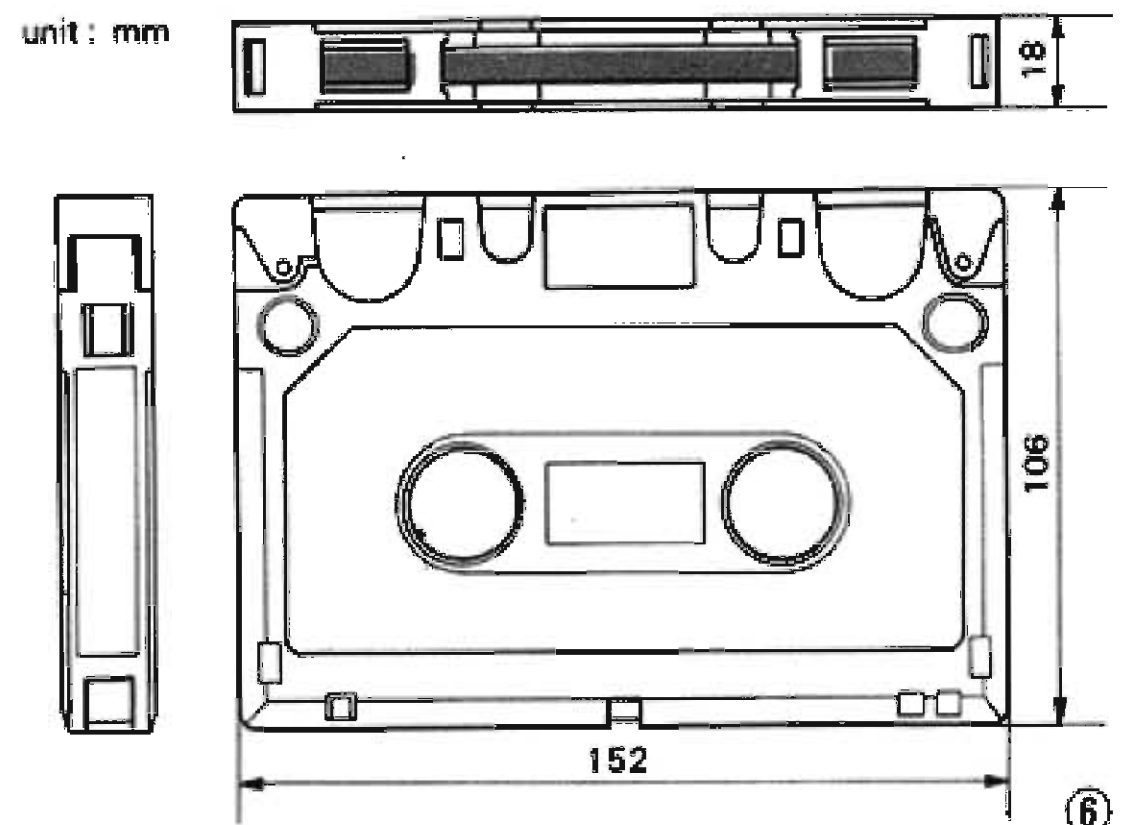
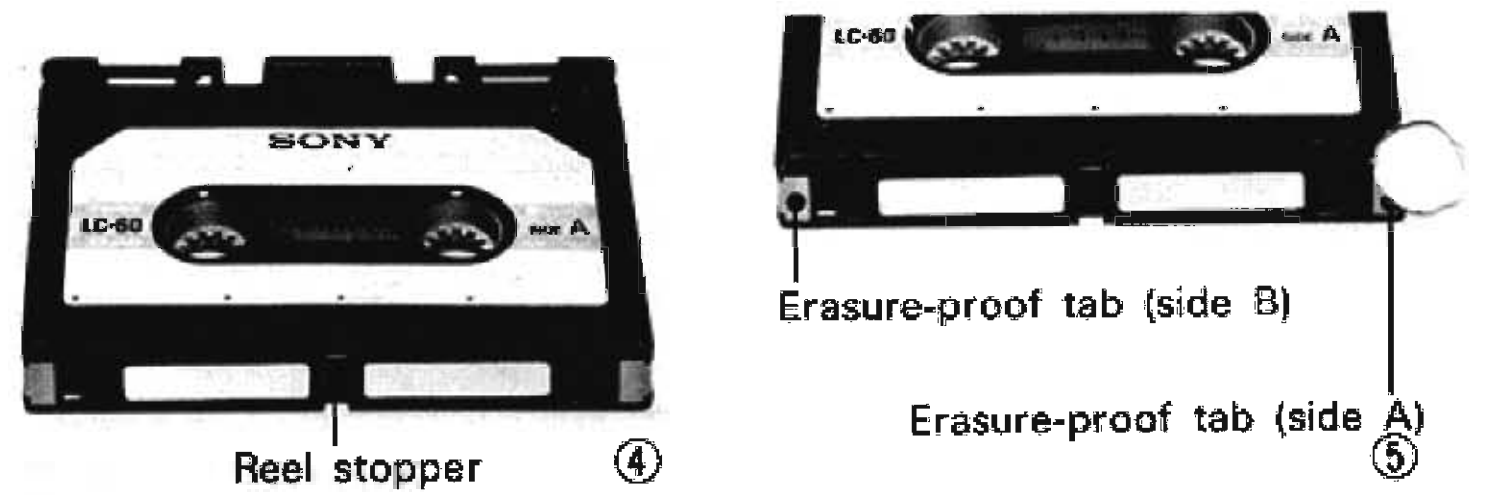
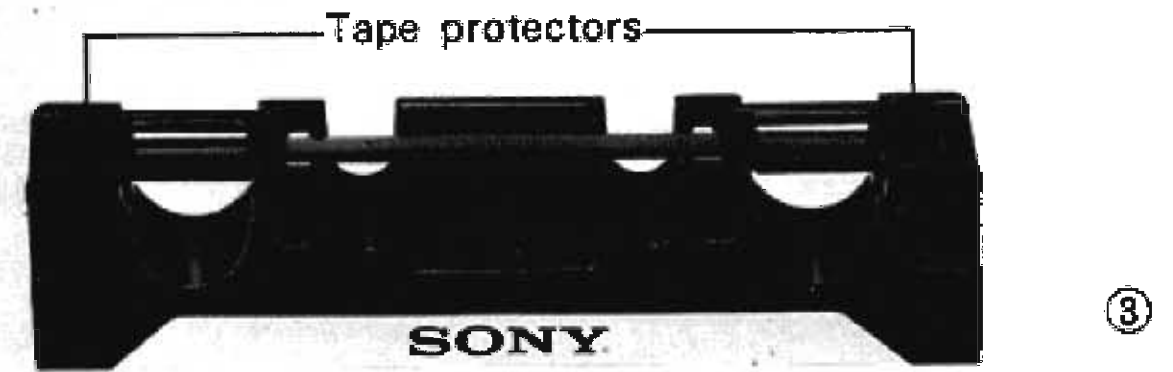
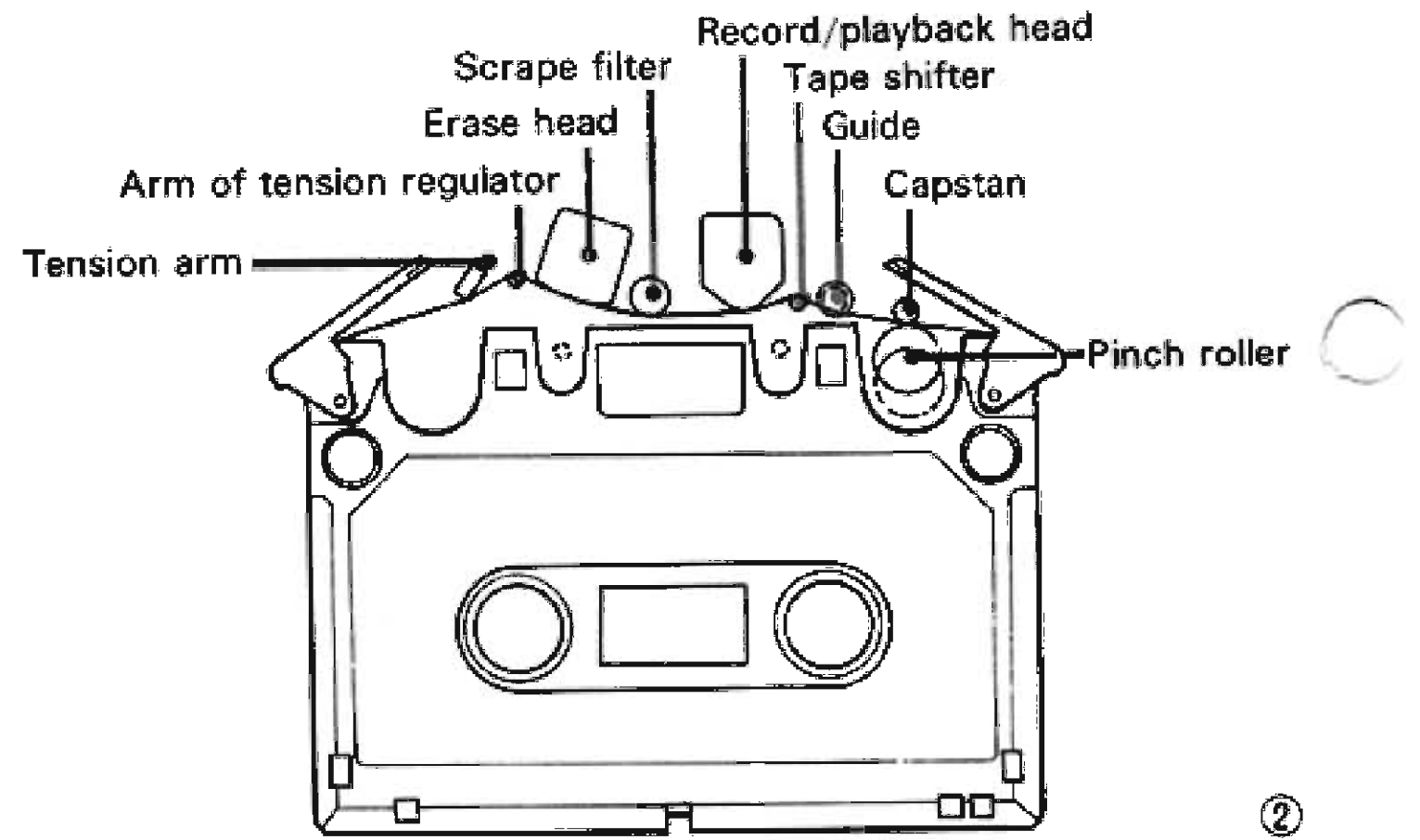
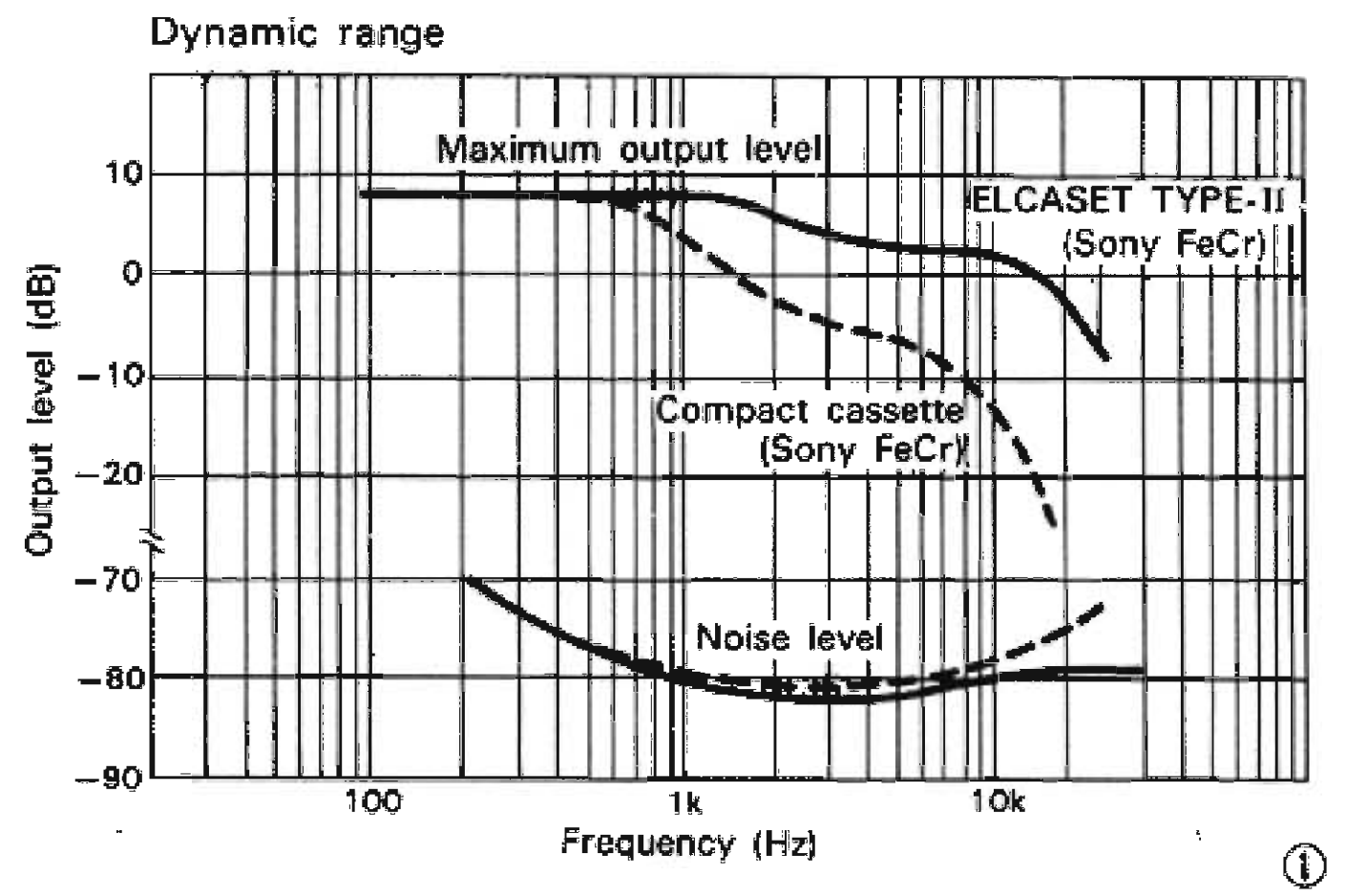
One is called TYPE I which has the feature of low noise output (called SLH tape by Sony). TYPE II has the same performance as FeCr tape by Sony. TYPE III will be for the tape equivalent to CrO<sub>2</sub> type. For optimum recording and playback results, match the tape selector on the tape recorder with the type of tape used.

**Automatic shut-off with ELCASET leader tape at tape-end**

The ELCASET has leader tapes at both ends of the tape. When the ELCASET is used on the tape recorder having photo electric method, tape motion automatically stops at the end of the tape for any operating mode. This is because the tape deck senses the leader-tape portion and activates the automatic shut-off mechanism.

**ELCASET specifications**

Tape speed	9.5 cm/s (3 3/4 ips)
Tape width	6.3 mm (1/4 inch)
Time constant	3180 micro-sec. +70 micro-sec.
Reference recording level	185 nwb/m
Types of tape	TYPE I, II, III
Dimensions	See Fig. ⑥



## TROUBLE CHECKS

The following chart will help correct most problems which may occur with the unit. If the problem persists after you have made these checks, consult your nearest Sony dealer.

Before going through the check list below, first pay attention to the following fundamental points.

- The power cord must be connected firmly.
- Connection to the amplifier must also be firm.
- Heads, capstan and pinch roller should be cleaned.
- The amplifier controls and switches should be set correctly.

### FUNCTION BUTTONS AND TAPE PATH

**The EJECT button cannot be depressed.**

- This button is inoperative while tape is running or the button is depressed.

**Tape does not move even when function buttons are depressed.**

- The **■** button is depressed.
  - The ELCASET holder is not closed fully.
- Recording or playback begins as soon as the POWER switch is ON.

- The TIMER switch is misplaced at either REC or PLAY.

**Automatic shut-off mechanism does not work.**

- The guide-pole lamp is dirty. (See "Maintenance" on page 11).

**Tape does not move after the POWER switch is ON, though the function buttons are depressed.**

- Push the desired function buttons approximately two seconds after the POWER switch is ON. When less than this time interval is taken, logic-controlled function buttons do not work.

### RECORDING OR PLAYBACK

**No recording or decrease of sound level**

- Erasure-proof tabs in the ELCASET are slid down. (See page 12.)
- Contamination of the heads (See page 11.)

**Recording cannot be made from LINE IN jacks on the rear panel.**

- The LINE IN jack (phone type) on the front panel is connected.
- Meters do not swing.
- The REC LEVEL controls are turned down to "0".

**No playback or decrease of sound reproduction**

- The LEVEL ADJUST control on the rear panel is turned down.
- Contamination of the heads. (See "Maintenance" on page 11.)

**Too much wow or flutter, or drop-outs**

- Contamination of capstan or pinch roller.

**Insufficient erasure**

- Contamination of the erase head.

**Increase of noise or erasure of high frequencies.**

- Magnetic build-up on the heads.

**Unbalanced tone in higher frequency range.**

- The Dolby NR processed tape should be played back with the DOLBY NR switch at the ON position, and the non-Dolby NR processed tape at OFF position.

- The TAPE SELECT switches should be in the same position in record mode. If recorded in the wrong position, adjust the tone of the amplifier in playback.

**Tape stops before the tape counter reads "000", though the recorder is in memory counter operation.**

- The tape counter is reset to "000" at the leader-tape portion. (See "Memory counter operation" on page 10.)

**Sound comes out a few seconds after the POWER switch is ON.**

- This occurs because muting circuit is provided to avoid any annoying "thump" noise, and is not abnormal operation.

### HOWLING OR HUM NOISE

**Oscillation occurs when trying to record from the amplifier.**

- If the LINE OUT jacks of the tape deck are connected to the amplifier AUX jacks and these are switched on, change the amplifier input selector to another position.

**Oscillation occurs when trying to record from microphones.**

- The microphone is too near the loudspeakers. Keep the microphone away from them or reduce the amplifier volume.

**Hum noise**

- The tape deck is stacked just on or below the amplifier.

## TABLE DES MATIERES

Avertissement . . . . .	16
Adaptation de la tension . . . . .	16
Précautions. . . . .	17
Emplacement et fonction des commandes . . . . .	18
Connexions. . . . .	20
Enregistrement . . . . .	22
Reproduction . . . . .	23
Effacement . . . . .	23
Enregistrement avec le système Doly NR. . . . .	23
Enregistrement et reproduction commandés par minuterie . . . . .	24
Mixage de microphone et de ligne. . . . .	24
Utilisation du compteur à mémoire. . . . .	24
Entretien . . . . .	25
Remarques sur l'ELCASET . . . . .	26
Particularités . . . . .	26
Spécifications . . . . .	27
ELCASET—Nouveau support matériel pour les enregistrements haute fidélité . . . . .	27
Dépannage . . . . .	29

## AVERTISSEMENT

Dans le but de prévenir les dangers d'incendie ou d'électrocution, éviter de placer l'appareil sous la pluie ou dans un endroit humide.

Afin d'écartier tout danger d'électrocution, garder le cabinet fermé. Confier l'entretien de l'appareil uniquement à un personnel qualifié.

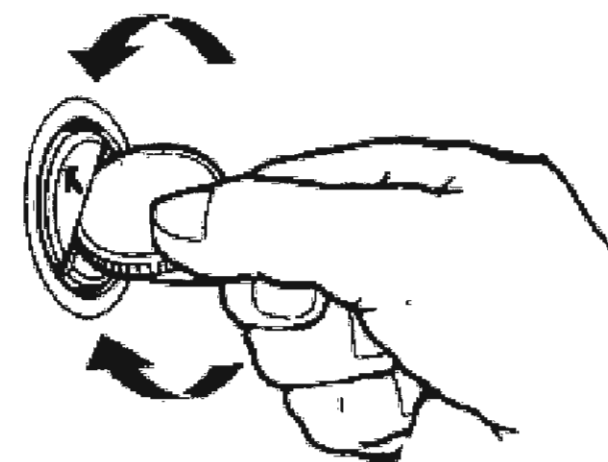
## ADAPTATION DE LA TENSION

Avant de connecter l'appareil à une prise du secteur, vérifier que la tension de fonctionnement soit identique à celle du secteur local. (Le sélecteur de tension est situé sur le panneau arrière.)

Si la tension n'est pas la même, réajuster comme suit :

**AVERTISSEMENT :** Vérifier que le cordon d'alimentation soit débranché.

Tourner le sélecteur à l'aide d'une pièce de monnaie de telle façon que la flèche soit dirigée vers le chiffre de la tension adéquate.



# PRECAUTIONS

## Sécurité

- Avant de faire fonctionner l'appareil, vérifier que la tension de fonctionnement de l'appareil soit identique à celle du secteur local.
- Si un matériau quelconque liquide ou solide, pénètre à l'intérieur du cabinet, débrancher le cordon, et faire vérifier l'appareil par un technicien compétent avant de le remettre en marche.
- Débrancher l'appareil de la prise du secteur lorsque le fonctionnement de l'appareil est interrompu pendant une longue période. Toujours débrancher en tirant sur la fiche et non sur le cordon.

## Installation

- Une bonne circulation d'air est essentielle pour éviter une surchauffe à l'intérieur de l'appareil. Placer l'appareil dans un endroit où cette circulation est suffisante.
- Ne pas placer l'appareil près de sources de chaleur comme des radiateurs ou des bouches d'air chaud, ni à un endroit exposé au rayonnement direct du soleil. Le protéger de la poussière, des vibrations mécaniques, et des chocs.
- Le magnétophone est conçu pour être utilisé en position verticale seulement.

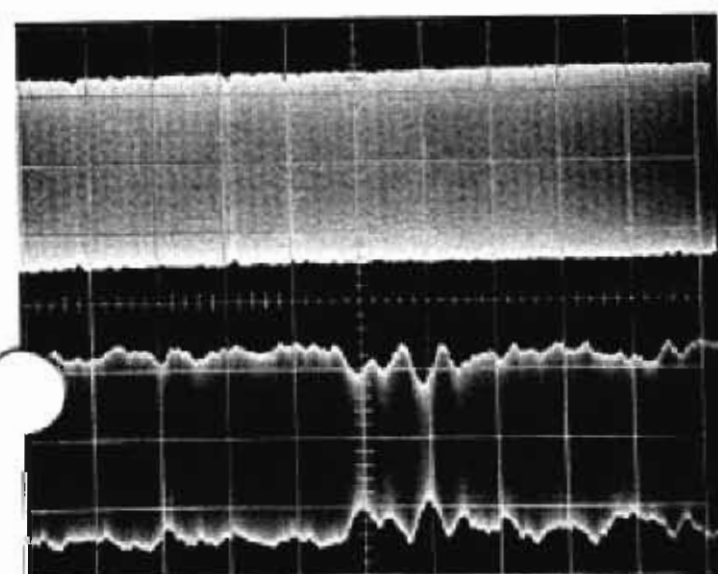
## Nettoyage des têtes

Un nettoyage périodique des têtes ainsi que de toutes les surfaces sur lesquelles défile la bande, s'impose pour tirer le meilleur parti du magnétophone. Des têtes et un passage de la bande encrassés seront à l'origine :

- d'une perte de réponse en haute fréquence.
- d'une perte de puissance sonore.
- d'une lacune de son, etc.

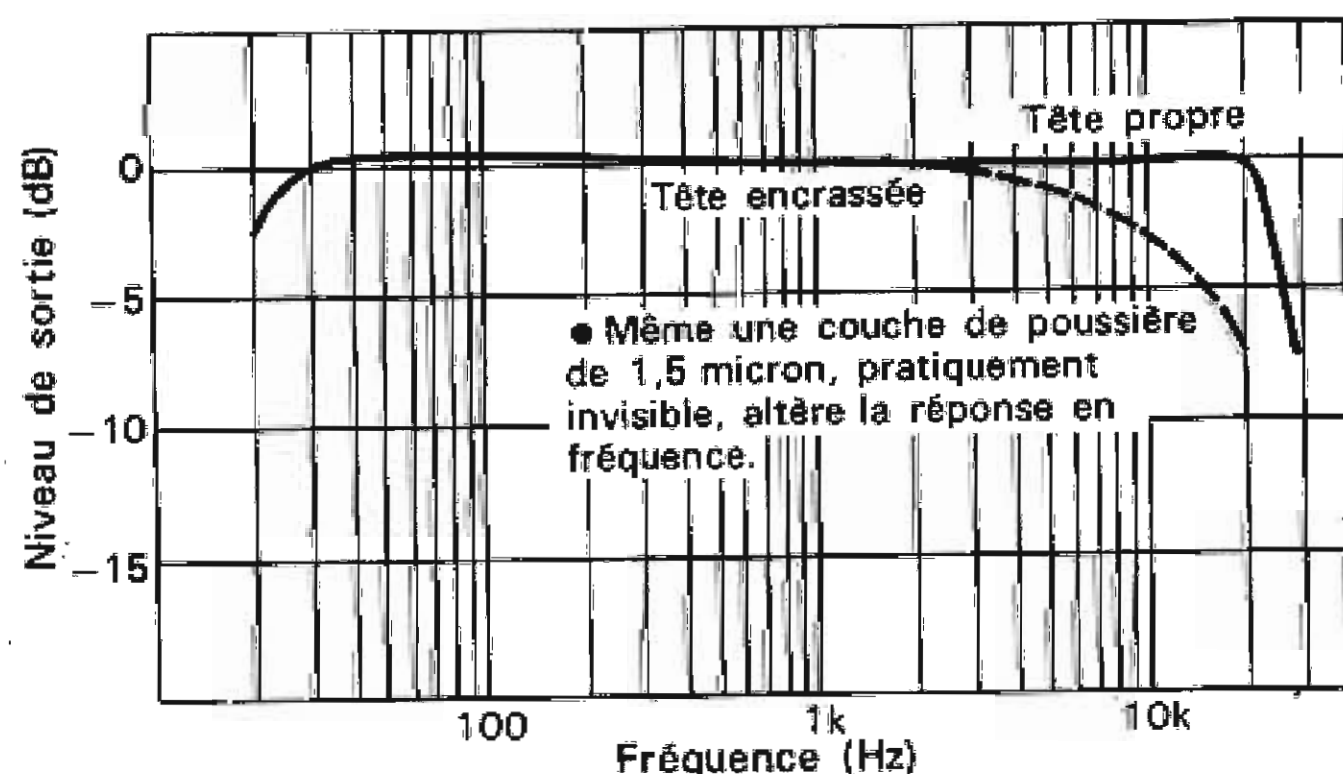
Procéder au nettoyage toutes les 10 heures d'utilisation. Pour plus de détail, se référer au chapitre "ENTRETIEN", page 25.

Lecture d'un signal à 10 kHz



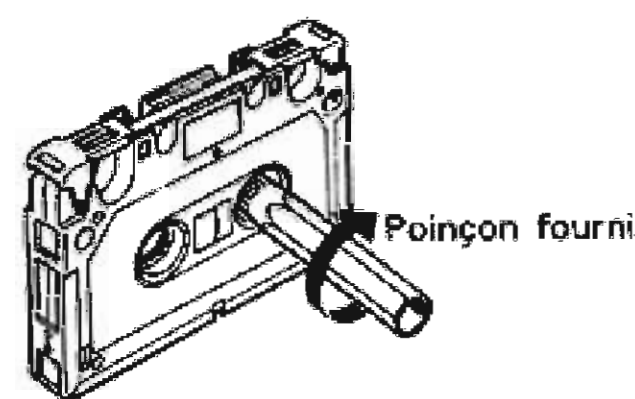
Avec une tête propre

Avec une tête encrassée  
Il y a une fluctuation du niveau de sortie.

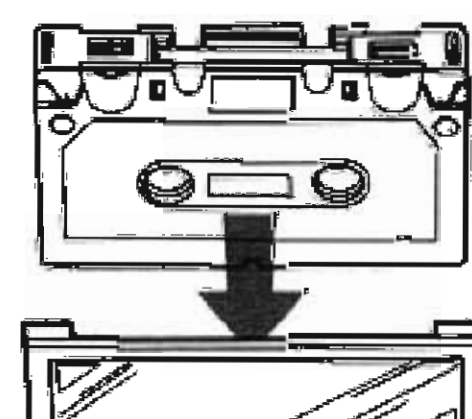
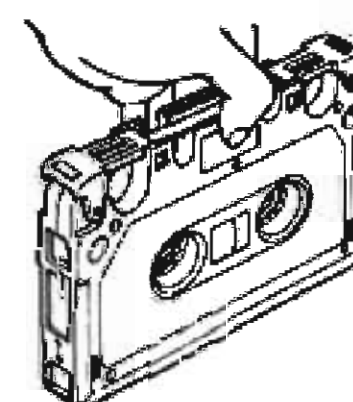


## ELCASET

- Avant d'introduire l'ELCASET, bien tendre la bande pour éviter qu'elle ne s'enroule autour du cabestan.



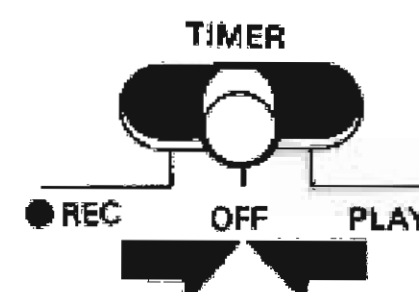
- Tenir l'ELCASET comme sur l'illustration, la face exposée de la bande tournée vers le haut, lorsqu'on l'insère dans le magnétophone. Ne pas toucher à la surface de la bande ou la sortir de son logement.



Pour plus de renseignements concernant l'ELCASET, voir pages 26 et 27.

## Autres points importants à se rappeler

- Avant d'enfoncer l'interrupteur [POWER], s'assurer que le commutateur de minuterie [TIMER] se trouve sur OFF. Ce commutateur ne sera placé sur REC ou PLAY que pour le fonctionnement commandé par minuterie.

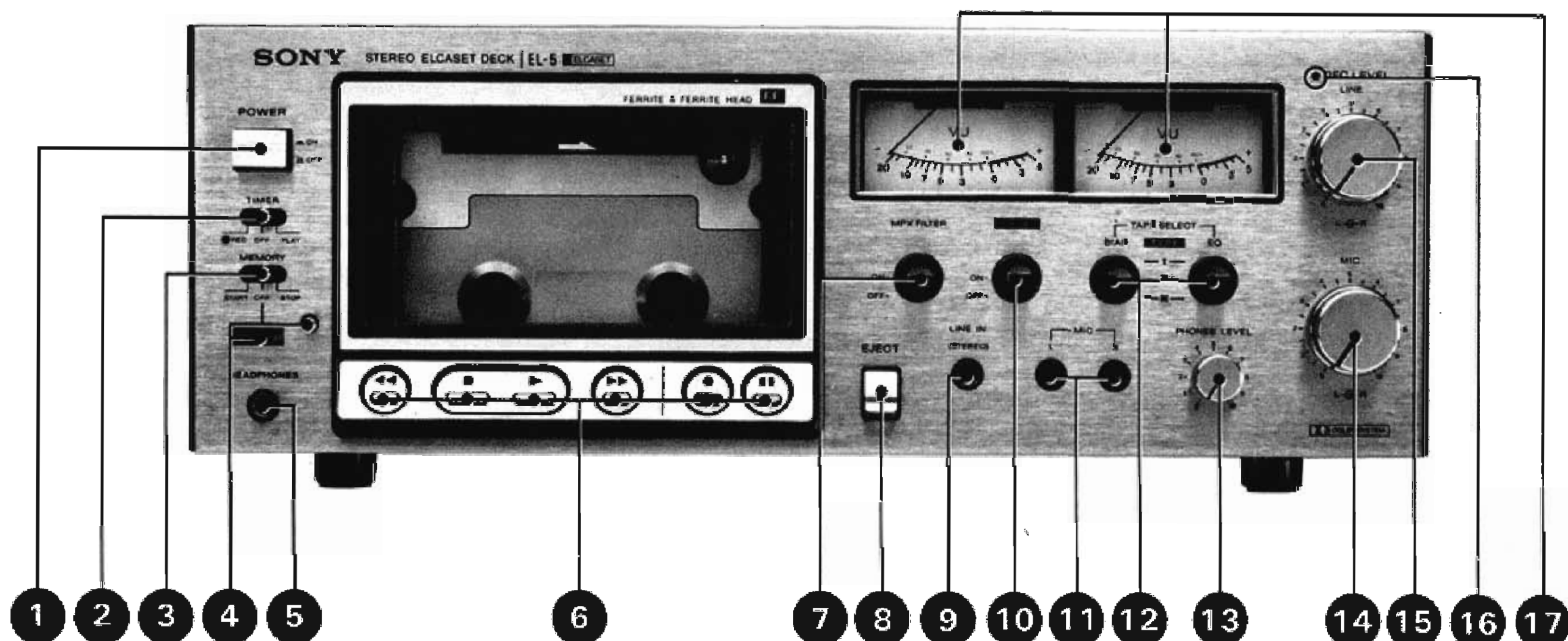


- Rabattre doucement le couvercle du support d'ELCASET en position verrouillée, pour ne pas risquer d'endommager la bande.
- Ne pas appuyer sur la touche [EJECT] pendant que la bande défile.
- Tourner les réglages [REC LEVEL] (MIC ou LINE) sur minimum lorsqu'ils ne sont pas utilisés pour l'enregistrement.





# EMPLACEMENT ET FONCTION DES COMMANDES



## ❶ Interrupteur d'alimentation [POWER]

Pour mettre l'appareil sous ou hors tension. Le VU mètre s'allume lorsque l'appareil est sous tension.

## ❷ Commutateur de minuterie [TIMER]

L'enregistrement ou la reproduction peuvent être déclenchés automatiquement au moment désiré à l'aide d'une minuterie disponible dans le commerce. Pour l'enregistrement, placer le commutateur sur REC (la lampe-témoin rouge va s'allumer); pour la reproduction, placer le commutateur sur PLAY (voir "Enregistrement et reproduction commandés par minuterie", page 24).

● Bien replacer le commutateur sur OFF lorsque la minuterie n'est pas utilisée. En effet, si on laisse le commutateur [TIMER] sur REC, l'enregistrement précédent sera effacé lorsqu'on met l'appareil sous tension.

## ❸ Commutateur de compteur à mémoire [MEMORY]

Lorsque la bande est reboinée jusqu'à la valeur "000" du compteur de repérage (en réalité "999", pour éviter de tronquer le début du morceau enregistré), le reboinage s'arrête automatiquement à l'endroit présélectionné si le commutateur est placé sur STOP. Si le commutateur est placé sur START, non seulement le reboinage s'arrête automatiquement, mais la bande recommence aussitôt à défiler en mode reproduction à partir du point d'arrêt choisi (voir "Utilisation du compteur à mémoire", page 24).

## ❹ Compteur de repérage et touche de remise à zéro

Au point de départ de l'enregistrement, enfoncez la touche de remise à zéro. Les figures sur le compteur changent à mesure que la bande défile. Noter le nombre inscrit sur le compteur pour une référence ultérieure.

## ❺ Prise de casque [HEADPHONES]

Brancher un casque de 8 ohms à 32 ohms pour l'écoute en relais des signaux d'entrée à enregistrer ou pour écouter le son reproduit. Le volume peut être ajusté avec le réglage de niveau pour le casque [PHONES LEVEL].

## ❻ Touches de commande

● Touche de reboinage [◀◀]: Enfoncez cette touche pour reboiner la bande.

● Touche d'arrêt [■]: Pour arrêter la bande, enfoncez cette touche. A l'arrivée en fin de bande, le moteur s'arrête automatiquement.

● Touche d'avance [▶]: Enfoncez cette touche pour la reproduction. Pour l'enregistrement, enfoncez simultanément cette touche et la touche [●].

● Touche d'avance rapide [▶▶]: Enfoncez cette touche pour l'avance rapide de la bande.

● Touche d'enregistrement [●]: Pour commencer l'enregistrement, enfoncez simultanément cette touche et la touche [▶].

● Touche d'arrêt momentané [■]: Enfoncez cette touche pour un arrêt momentané pendant l'enregistrement ou l'écoute. Enfoncez à nouveau cette touche pour remettre la bande en marche. Cette touche peut aussi servir à se tenir prêt pour l'enregistrement. (Voir "Enregistrement", page 22.)

**7 Interrupteur de filtre multiplex [MPX FILTER]**

Cet interrupteur ne doit être placé sur ON que pour enregistrer des émissions FM stéréo codées suivant le système Dolby NR. Le laisser sur OFF pour enregistrer les autres types de programmes. Cet interrupteur est sans effet en mode reproduction.

**8 Touche d'éjection [EJECT]**

Enfoncer cette touche pour ouvrir le couvercle du support de cassette. Elle ne peut être enfoncée en n'importe quel mode de fonctionnement de l'appareil.

**9 Prise d'entrée ligne [LINE IN (STEREO)]**

Utiliser cette prise à deux voies stéréo comme une prise auxiliaire pour l'enregistrement d'un autre magnétophone, d'un tuner, etc. Si les prises d'entrées ligne sur le panneau arrière sont engagées dans le même temps, seuls les signaux par cette prise peuvent être enregistrés.

**10 Commutateur Dolby NR [DOLBY NR]\***

Placer le commutateur sur ON pour l'enregistrement ou la reproduction avec le système Dolby NR. Pour l'enregistrement ou la reproduction sans le système Dolby, le placer sur OFF.

\* Le mot "Dolby" et le symbol double D sont les marques commerciales des Laboratoires Dolby, Inc. Système de réduction du bruit fabriqué sous licence des Laboratoires Dolby, Inc.

**11 Prises de microphone [MIC]**

Utiliser n'importe quel microphone à basse impédance de haute qualité, équipé d'une fiche téléphonique. Si le microphone est équipé d'une fiche mini-format, un adaptateur de fiche pour convertir en fiche téléphonique est nécessaire.

**12 Sélecteurs de bande [TAPE SELECT]**

Avant de commencer un enregistrement, placer le sélecteur de circuit de correction [EQ] et le sélecteur de courant de polarisation [BIAS] sur les positions correspondant au type de bande utilisé. Le type de bande est indiqué sur l'étiquette de l'ELCASET. Ces sélecteurs sont sans effet en mode reproduction.

TYPE I pour les bandes Sony SLH

TYPE II pour les bandes Sony au FeCr

TYPE III pour les bandes au CrO<sub>2</sub>

**13 Réglage de niveau pour le casque [PHONES LEVEL]**

Ce réglage permet d'ajuster le niveau de sortie du casque. Si on le place sur "0", un son faible est encore audible.

**14 Réglages de niveau microphone [REC LEVEL-MIC]**

Ces boutons permettent d'ajuster le niveau d'enregistrement à partir des prises [MIC] et [REC/PB]. Le bouton intérieur contrôle le canal droit, et celui de l'extérieur contrôle le canal gauche. Garder les boutons tournés complètement vers "0", lorsqu'ils ne sont pas utilisés.

**15 Réglages de niveau d'entrée ligne [REC LEVEL-LINE]**

Ces boutons règlent le niveau d'enregistrement à partir de l'entrée (des entrées) [LINE IN] sur le panneau arrière et sur le panneau avant. Le bouton intérieur règle le niveau de canal droit, et celui de l'extérieur, le niveau du canal gauche. Garder les boutons tournés complètement vers "0" lorsqu'ils ne sont pas utilisés.

**16 Témoin lumineux d'enregistrement**

Ce voyant s'allume lorsque la touche d'enregistrement est enfoncée.

**17 VU mètres**

Les VU mètres donnent le niveau de chaque entrée pendant l'enregistrement, et le niveau de l'enregistrement en mode de reproduction.

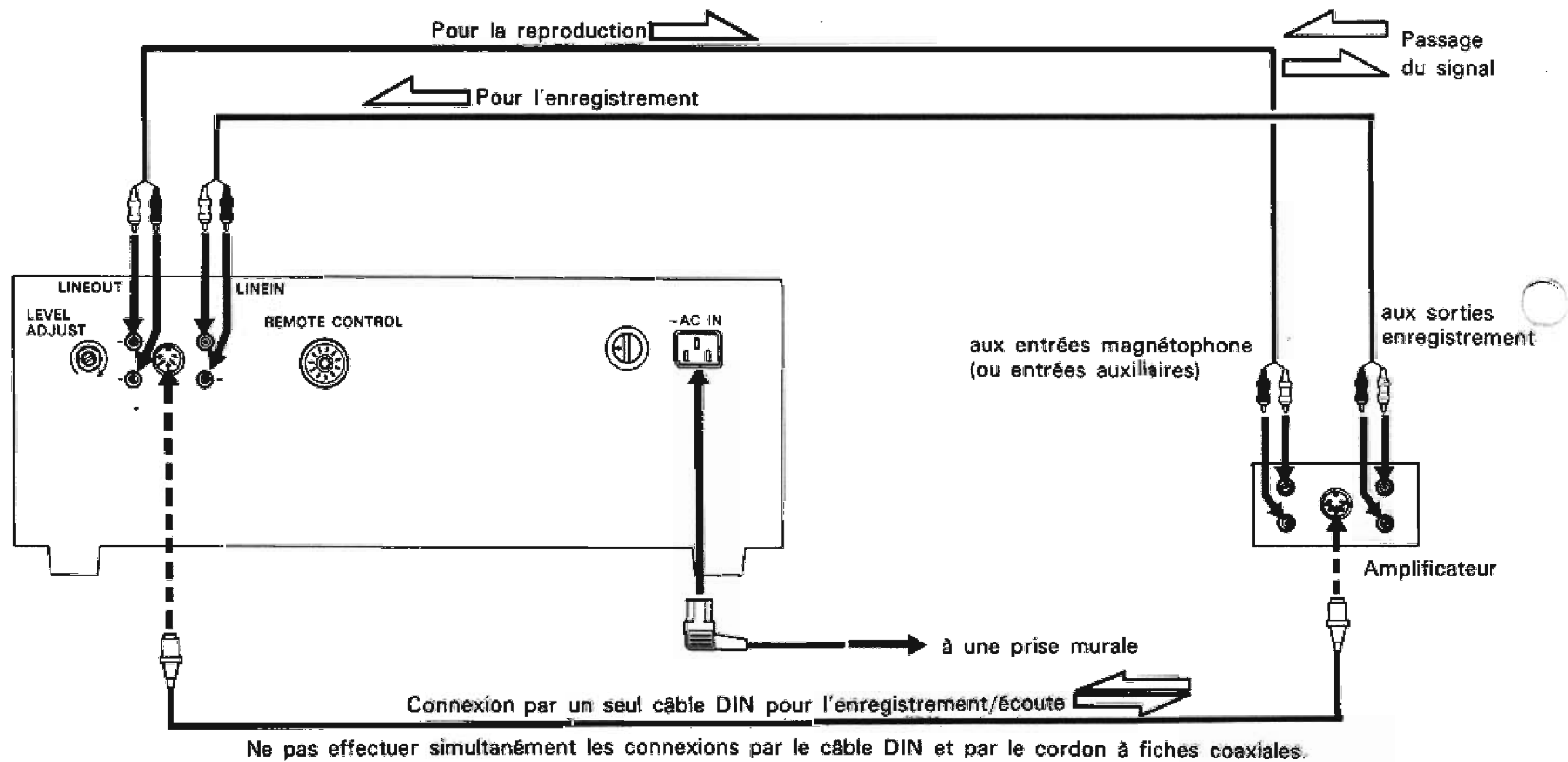
# CONNEXIONS

● Couper l'alimentation de l'amplificateur avant de faire les connexions.

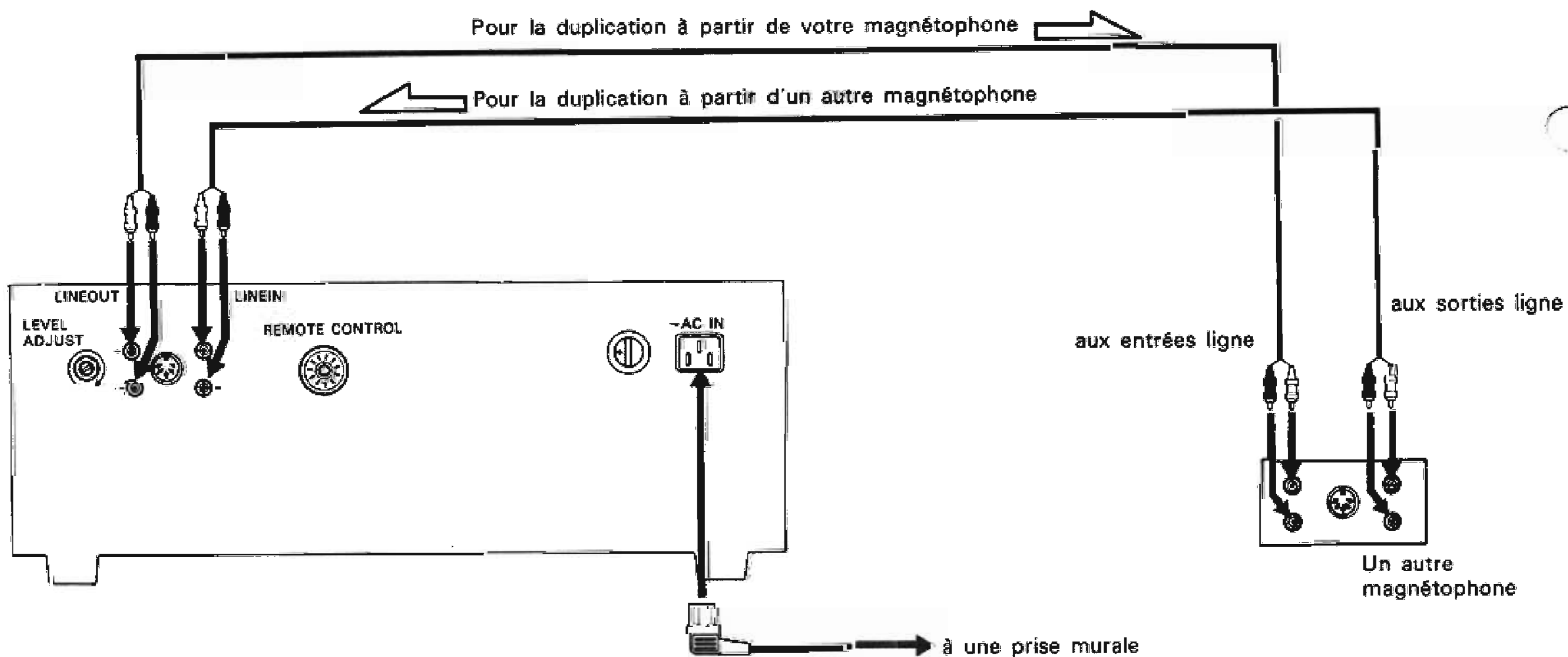
● Insérer à fond les connecteurs de câble dans les prises. Des raccords lâches peuvent être à l'origine de bruit et de bourdonnement.

● La fiche rouge du cordon de raccord fourni doit être connectée au canal droit, et la fiche grise au canal gauche.

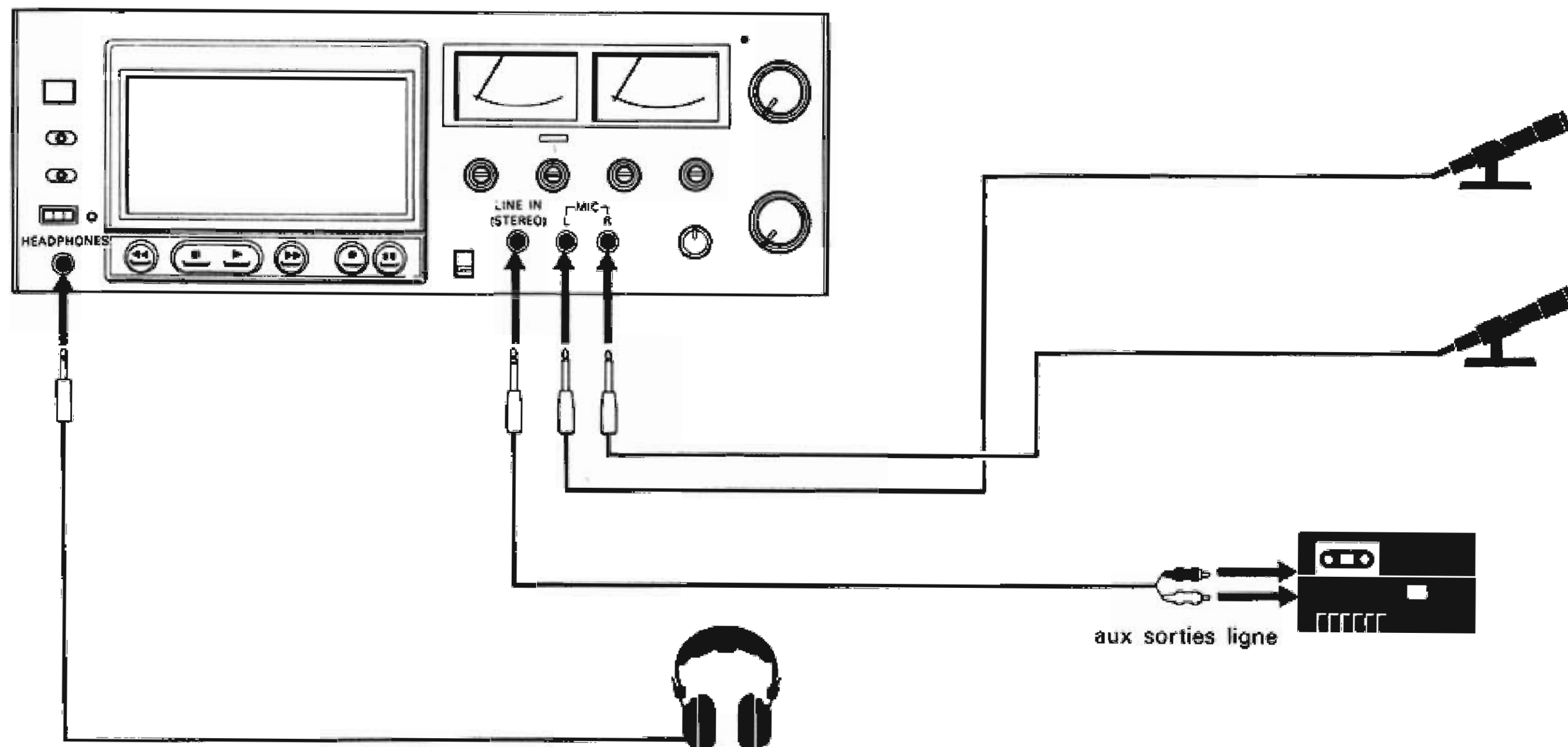
## Connexion de l'amplificateur



## Connexion pour la duplication de bande



## Connexion sur le panneau avant



### Réglage de niveau [LEVEL ADJUST]

Le niveau de sortie des prises coaxiales du magnétophone peut être réglé à la valeur correspondant au niveau de sortie des autres appareils connectés à l'amplificateur. Il est recommandé d'utiliser le mode FM ou Phono comme référence. Ne pas modifier le volume de l'amplificateur pendant le réglage. Lorsque le réglage est tourné complètement dans le sens des aiguilles d'une montre, le niveau de sortie spécifié est de 0,775 V (0 dB). Le niveau de sortie de la prise DIN [REC/PB] est fixé à 0,775 V sans être commandé par le réglage [LEVEL ADJUST]. Noter que le niveau de sortie ne correspond pas aux niveaux des VU mètres.

### Prise DIN [REC/PB]

● Un raccordement à l'aide du cordon à fiche coaxiale est recommandé, pour obtenir un meilleur rapport signal sur bruit à l'enregistrement.

La sensibilité et l'impédance des entrées et sorties de la prise DIN de l'amplificateur et des prises coaxiales du magnétophone ne se correspondent pas. Donc, éviter une telle connexion.

● Pour un enregistrement par cette prise, s'assurer qu'il n'y a aucune connexion aux prises [MIC]. Dans le cas d'un raccord simultané aux prises DIN [REC/PB] et [MIC], seuls les signaux microphoniques sont enregistrés. Pour la même raison le mixage des signaux d'entrée DIN avec des signaux microphoniques n'est pas possible.

● Pour raccorder directement les prises DIN des deux magnétophones, utiliser un câble DIN spécialement conçu pour la duplication de bande.

### Connecteur pour commande à distance [REMOTE CONTROL]

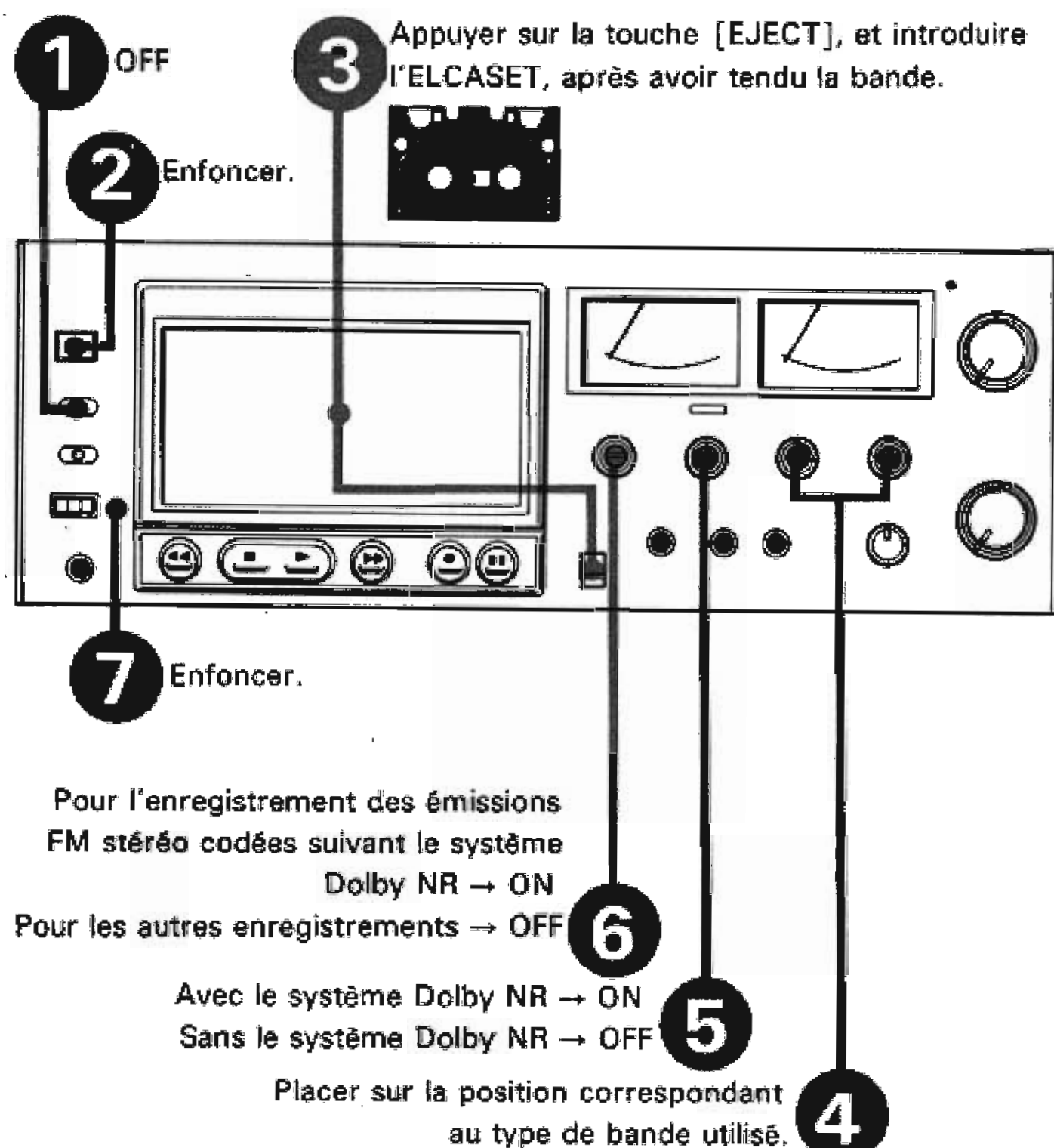
Ce connecteur est prévu pour recevoir le dispositif de commande à distance RM-30 (proposé en option). Ce dispositif permet de commander à distance le défilement de la bande, et comporte en outre un "silencieux d'enregistrement"\*. Lire le mode d'emploi de l'RM-30 avant de la brancher sur le magnétophone. \* Système permettant de court-circuiter les portions indésirables d'un programme, par exemple les annonces publicitaires de la radio, et de ménager des intervalles appropriés entre les différents enregistrements.

### Connexion d'alimentation

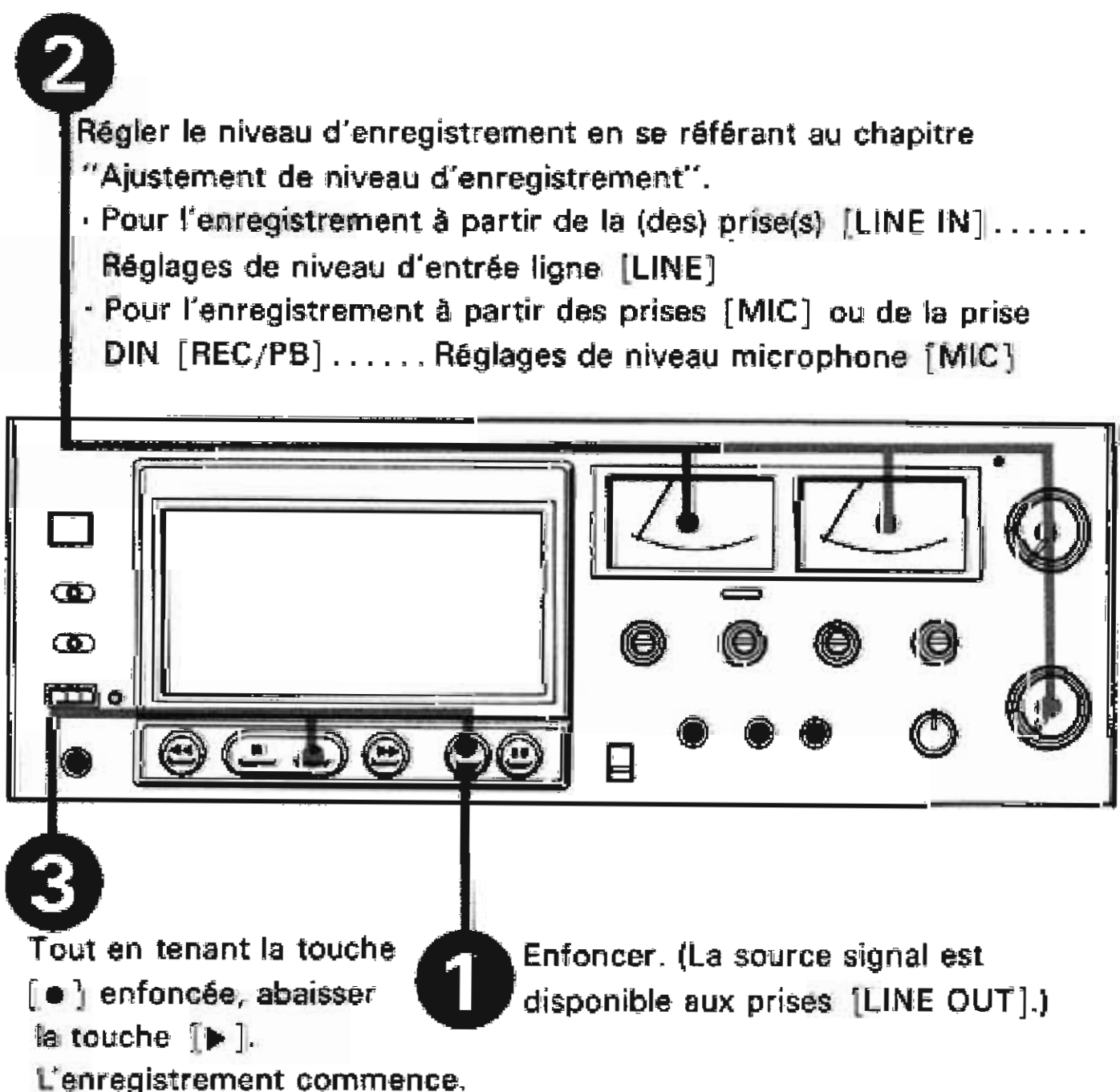
Connecter d'abord le cordon d'alimentation à l'entrée CA [~AC IN] et ensuite à une prise du secteur.

# ENREGISTREMENT

Avant de procéder au réglage du niveau d'enregistrement, placer les commandes comme suit, dans l'ordre numérique indiqué.



Pour commencer l'enregistrement, suivre les étapes indiquées sur le schéma numéroté.

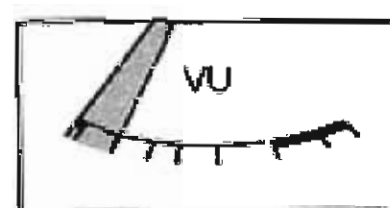


**Enregistrement à l'aide de la touche d'arrêt momentané [■]**  
Le départ de l'enregistrement peut être commandé de façon plus souple à l'aide de la touche [■]. Au lieu de l'étape 1 ci-dessus, enclencher la touche [■] avant d'enfoncer simultanément les touches [●] et [▶]. Lorsqu'on désire commencer à enregistrer, appuyer à nouveau sur la touche [■] pour la libérer: l'enregistrement démarre alors sans risque de fausse manœuvre.

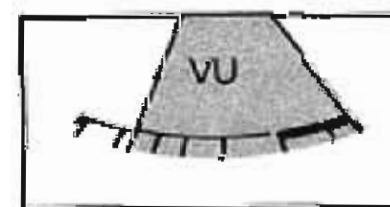
## Ajustement de niveau d'enregistrement

De façon générale, le niveau d'enregistrement doit être réglé de telle sorte que les aiguilles des VU mètres dévient aussi près que possible du niveau 0 lors du passage du niveau sonore le plus élevé du programme que l'on désire enregistrer. Il n'y a cependant pas d'inconvénient à ce qu'une brusque pointe de modulation dépasse un instant le niveau 0. Des pulsations sonores très brèves donneront rarement lieu à une distorsion audible.

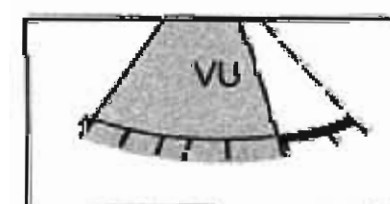
Toutefois, du fait de leur inertie, les VU mètres sont incapables de suivre les crêtes de niveau transitoires de faible durée, et indiquent alors un niveau inférieur au niveau réel, qui peut parfois atteindre +10 dB, ou même +15 dB, alors que les VU mètres indiquent "0". On fera bien de tenir compte de ce phénomène lorsqu'on enregistre un programme contenant des passages très animés.



Niveau de réglage trop bas (son parasite)



Niveau de réglage trop élevé (son déformé)



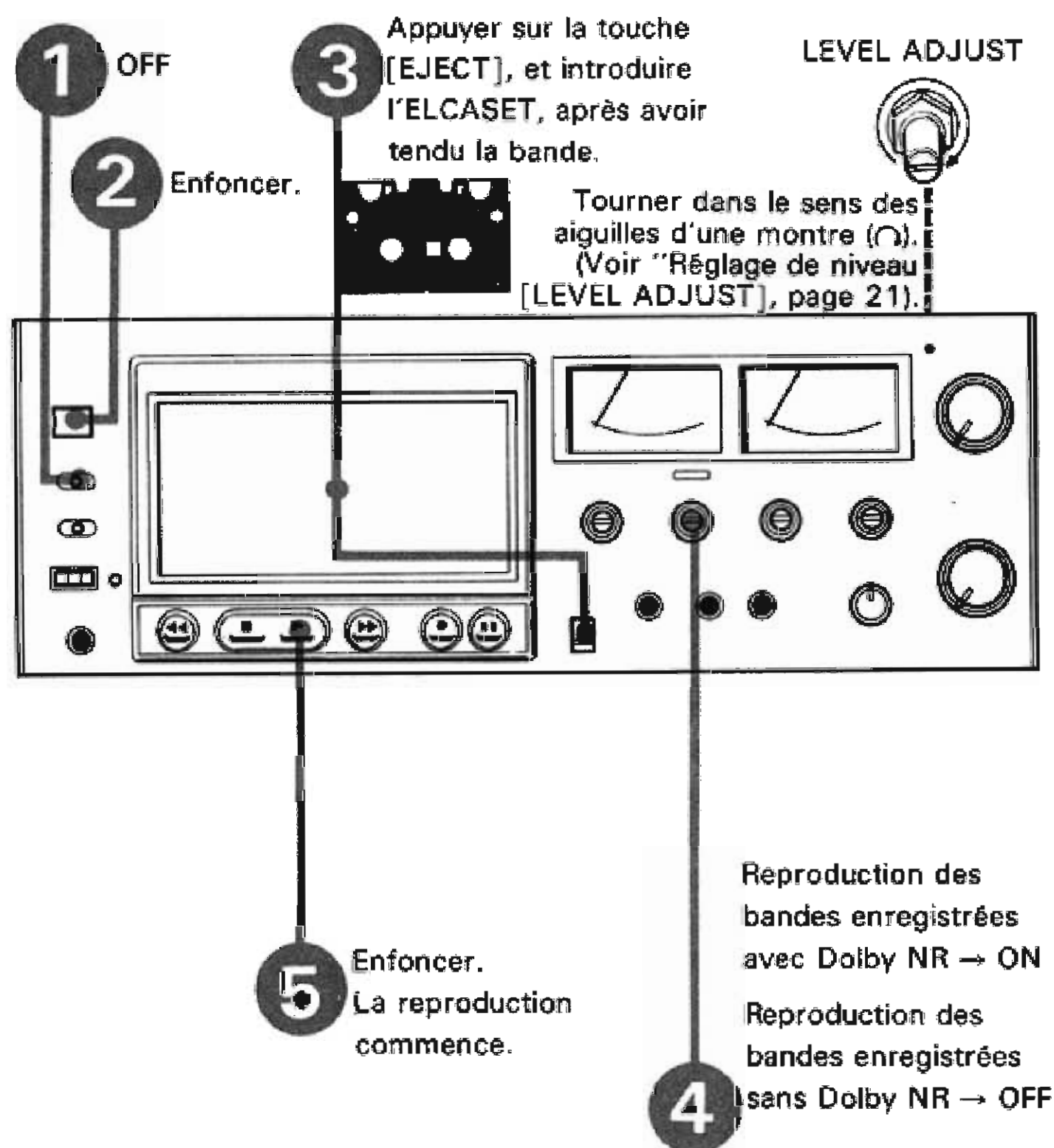
Niveau correct

## Passage en mode enregistrement sans arrêt de la bande

Ce magnétophone permet de passer directement en mode enregistrement alors que la bande défile en mode reproduction, au cas où on désire commencer à enregistrer un nouveau programme. Il suffit pour cela d'enfoncer la touche [●] tout en appuyant simultanément sur la touche [▶]: l'enregistrement commence sans délai.

## REPRODUCTION

Pour commencer la reproduction, suivre les étapes indiquées sur le schéma numéroté.



## ENREGISTREMENT AVEC LE SYSTEME DOLBY NR

### Commutateur Dolby NR

Grâce au procédé d'enregistrement et de reproduction par le système Dolby NR, le bruit de friture qui se produit pendant l'enregistrement (bruit désagréable en haute fréquence) est réduit et le rapport signal sur bruit est remarquablement amélioré. Pendant l'enregistrement, le système Dolby NR accentue les signaux haute fréquence de faible niveau et cela maintient un niveau d'enregistrement exempt de bruit. Pendant la reproduction, les mêmes signaux accentués sont atténués de façon inverse. Par suite, le niveau du bruit est réduit dans le même rapport que les signaux préaccentués. Aussi, la bande enregistrée avec le système Dolby NR doit être écoutée avec l'interrupteur Dolby NR mis sur ON.

### Interrupteur de filtre multiplex [MPX FILTER]

Les émissions FM stéréo contiennent une onde pilote FM de 19 kHz et une sous-porteuse de 38 kHz qui sont susceptibles de perturber le fonctionnement du Dolby. Le filtre multiplex élimine ces signaux de sorte que les circuits du système Dolby NR puissent fonctionner correctement. Bien placer l'interrupteur [MPX FILTER] sur ON pour enregistrer les émissions FM stéréo codées suivant le système Dolby NR. Pour les autres enregistrements, laisser cet interrupteur sur OFF.

## EFFACEMENT

Lorsque le magnétophone fonctionne en mode enregistrement, les enregistrements précédents sont effacés automatiquement à mesure que la bande passe par la tête d'effacement.

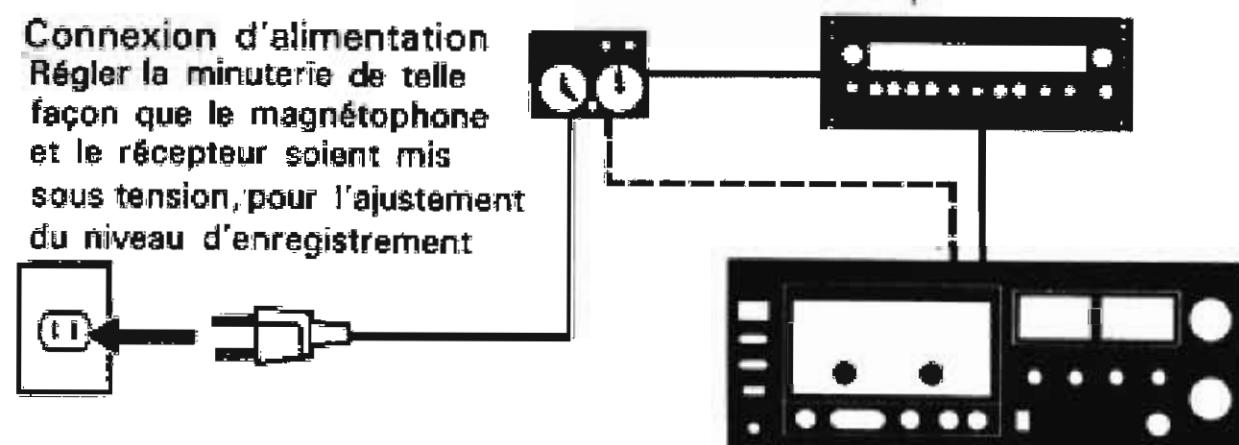
- 1 S'assurer que le segment de sécurité contre l'effacement n'est pas escamoté.
- 2 Tourner complètement sur "0" les réglages [REC LEVEL]. (L'effacement sera plus complet si toutes les entrées sont déconnectées.)
- 3 Placer le sélecteur [BIAS] sur la position correspondant au type de bande utilisé.
- 4 Enfoncer simultanément les touches [●] et [▶]. L'effacement va commencer.

## ENREGISTREMENT ET REPRODUCTION COMMANDES PAR MINUTERIE

L'enregistrement ou la reproduction peuvent être déclenchés automatiquement au moment voulu à l'aide d'une minuterie (disponible dans le commerce). Certaines minuteries peuvent être programmées pour mettre le magnétophone en et hors circuit autant de fois qu'on le désire, ce qui permet un fonctionnement automatique continu.

### Enregistrement

- 1 Raccorder le magnétophone au récepteur et à la minuterie.



- 2 Mettre le récepteur sous tension, et l'accorder sur la station émettant le programme à enregistrer.
- 3 Placer le commutateur de minuterie [TIMER] du magnétophone sur OFF.
- 4 Introduire l'ELCASET (s'assurer que les segments de sécurité contre l'effacement prévus sur l'ELCASET ne sont pas escamotés).
- 5 Mettre le magnétophone sous tension, et régler les niveaux d'enregistrement.
- 6 Régler la minuterie sur l'heure désirée (tous les appareils raccordés sont alors mis hors tension).
- 7 Placer le commutateur de minuterie [TIMER] du magnétophone sur REC. L'enregistrement sera déclenché automatiquement à l'heure pour laquelle la minuterie a été programmée.

### Reproduction

- 1 Le raccordement s'effectue de la même manière pour la reproduction que pour l'enregistrement.
- 2 Placer le commutateur de minuterie [TIMER] du magnétophone sur OFF.
- 3 Introduire la bande enregistrée.
- 4 Mettre le magnétophone sous tension, et régler les commandes de l'amplificateur pour la reproduction.
- 5 Régler la minuterie sur l'heure désirée.
- 6 Placer le commutateur [TIMER] du magnétophone sur PLAY. La reproduction sera déclenchée automatiquement à l'heure pour laquelle la minuterie a été programmée.

### Remarques

- Lire attentivement le mode d'emploi de la minuterie avant de l'utiliser.
- Le commutateur [TIMER] ne déclenchera la minuterie que si on a mis l'appareil sous tension avant de placer le commutateur sur la position correspondant au mode d'opération désiré. Si on fait l'inverse, rien ne se passera. Dans ce cas, attendre un certain temps (plus de 1,5 secondes) après la mise sous tension, sinon le commutateur [TIMER] risque de ne pas déclencher normalement la minuterie, c'est pourquoi aussi il ne faut plus toucher au commutateur [TIMER] après l'avoir placé sur REC ou PLAY.

## MIXAGE DE MICROPHONE ET DE LIGNE

Le mixage peut être réalisé à l'aide des quatre réglages indépendants [LINE] (pour les entrées [LINE IN]) et [MIC] (pour les prises [MIC] et [REC/PB]).

- 1 Connecter les sources de programme aux prises correspondantes.
- 2 Ajuster le niveau d'enregistrement avec les réglages correspondants. Les VU mètres indiquent le niveau des signaux superposés. Le contrôle au casque aide à régler le niveau de mixage.
- 3 Commencer l'enregistrement.

- Lorsque le mixage est terminé, ne pas oublier de tourner les réglages de niveau non utilisés, à fond sur la position "0".

## UTILISATION DU COMPTEUR A MEMOIRE

Le commutateur [MEMORY] permet de retrouver avec une grande précision le programme présélectionné, que ce soit en début de bande ou à un endroit plus avancé de l'enregistrement.

- 1 Repérer le point de départ désiré, et appuyer sur la touche de remise à zéro pour enregistrer ce point de départ dans la mémoire (le compteur affiche "000").
- 2 Placer le commutateur [MEMORY] sur une des positions suivantes :

START : pour rejouer immédiatement la bande rebobinée.

STOP : pour arrêter simplement le rebobinage à l'endroit présélectionné.

- 3 Jouer la bande (ou l'enregistrer).

- 4 Enfoncer la touche [◀] pour rebobiner la bande. La bande s'arrête ou s'inverse (en mode reproduction) automatiquement lorsque le compteur affiche "999" (une unité avant "000", pour éviter de tronquer le début du passage que l'on désire retrouver).

### Remarques

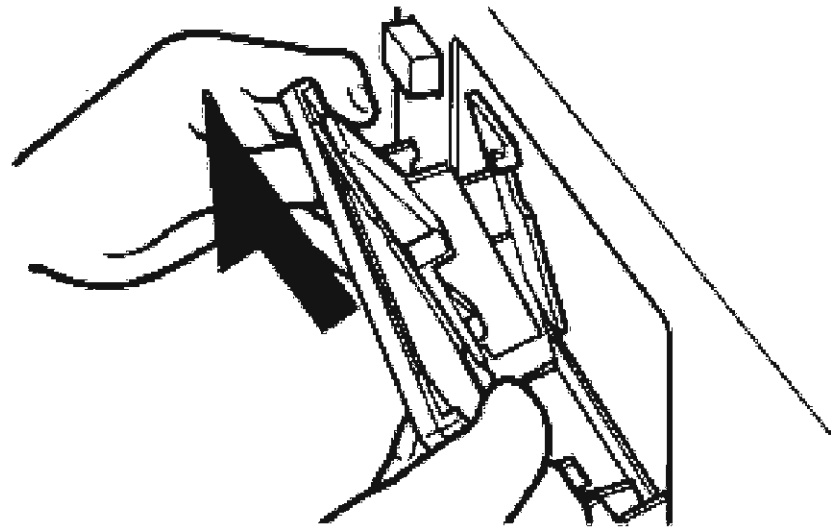
- Pour rebobiner la bande au-delà du point "000", enfoncer à nouveau la touche [◀].
- Lorsqu'on utilise le compteur à mémoire pour le redémarrage instantané (en mode reproduction) à partir du début de la bande, bobiner l'amorce transparente de la bande avant de remettre le compteur sur "000". En effet, quand la bande est rebobinée jusqu'à l'amorce transparente, un dispositif photo-électrique déclenche l'arrêt automatique du défilement.
- Si on ne lâche pas la touche [◀] avant l'arrivée du compteur au point "999", la bande ne s'arrête pas à l'endroit présélectionné, mais continue à se rebobiner au-delà de "999" tant qu'on appuie sur la touche de rebobinage.

## ENTRETIEN

### Nettoyage des têtes et du passage de la bande

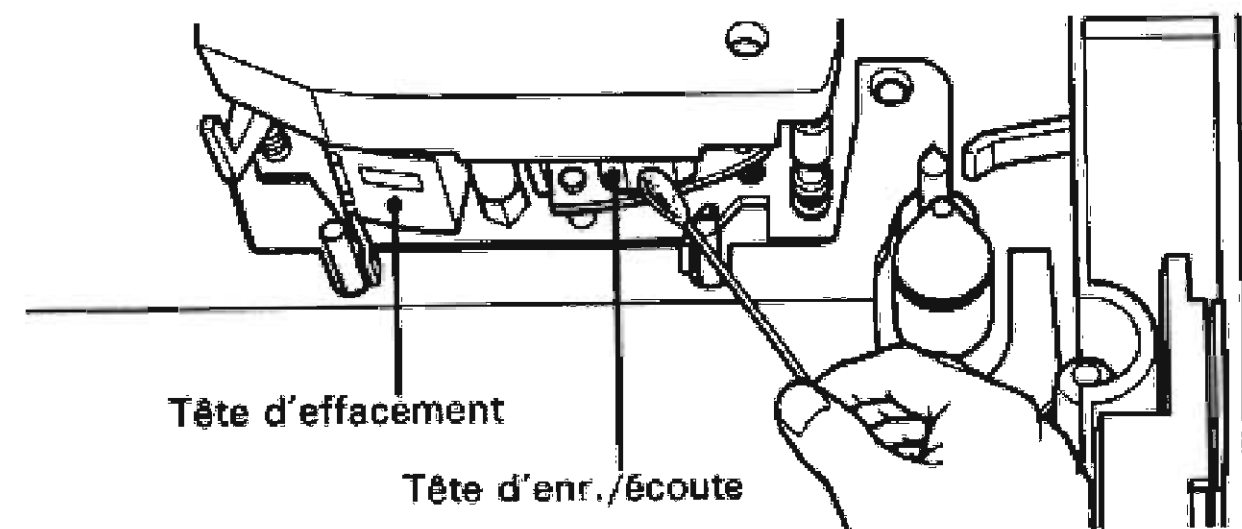
Un nettoyage des têtes toutes les 10 heures de fonctionnement est en général suffisant. Cependant, si on désire faire un enregistrement de très haute qualité, il est préférable de nettoyer au préalable toutes les surfaces sur lesquelles défile la bande.

① Appuyer sur la touche [EJECT] pour ouvrir le support d'ELCASET, et enlever le couvercle.

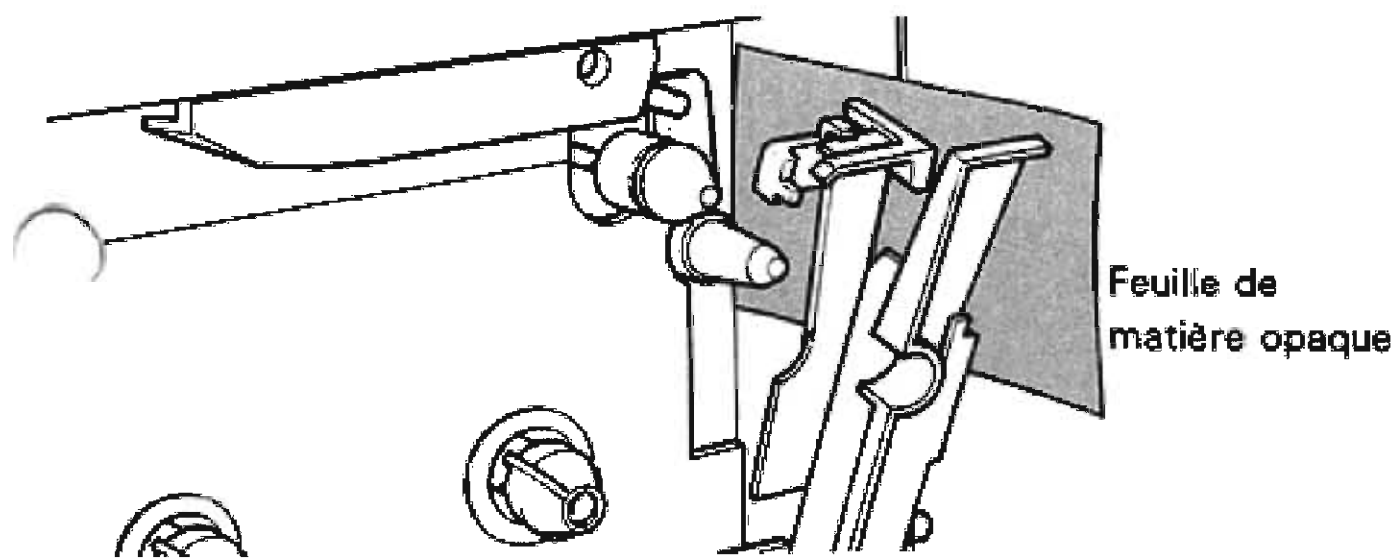


② Rabattre le support.

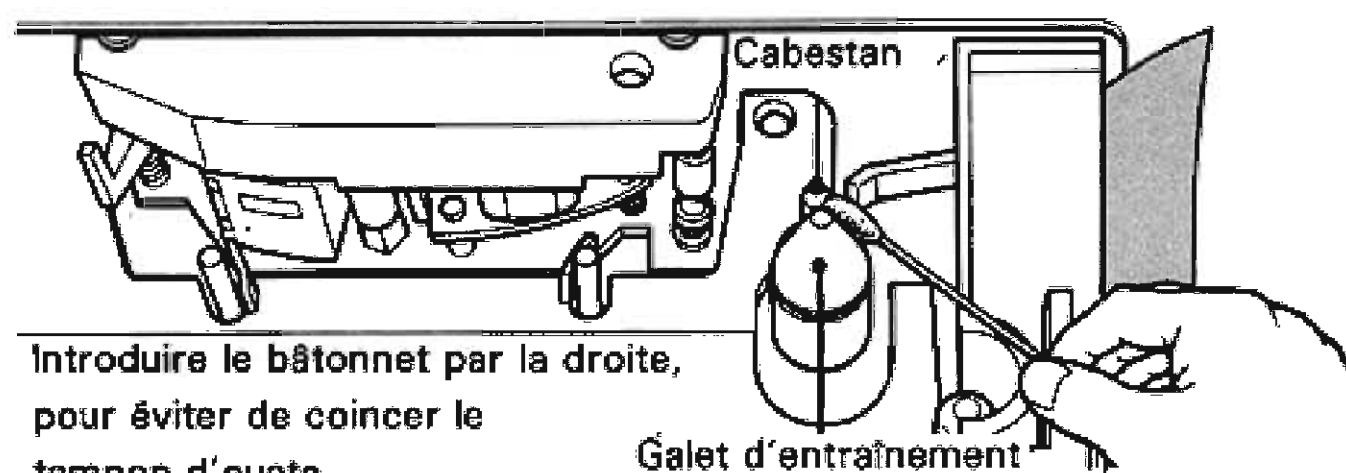
③ Essuyer les têtes avec le bâtonnet de nettoyage légèrement imbibé d'alcool (exprimer l'excès d'alcool si on a trop imbibé le tampon d'ouate fixé au bâtonnet).



④ Introduire une feuille de matière opaque comme indiqué sur l'illustration, afin de couper le faisceau lumineux émis à partir de la colonne de guidage et de désactiver ainsi le mécanisme d'arrêt automatique pendant le nettoyage.



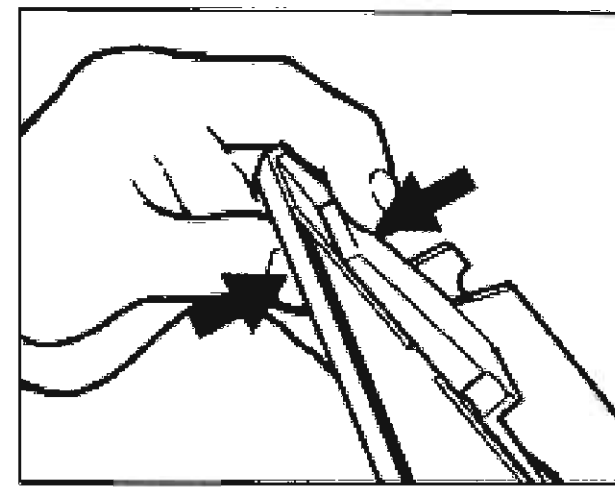
⑤ Placer l'interrupteur [POWER] sur ON, et enfoncer la touche [▶]. Essuyer le galet d'entraînement et le cabestan pendant qu'ils tournent.



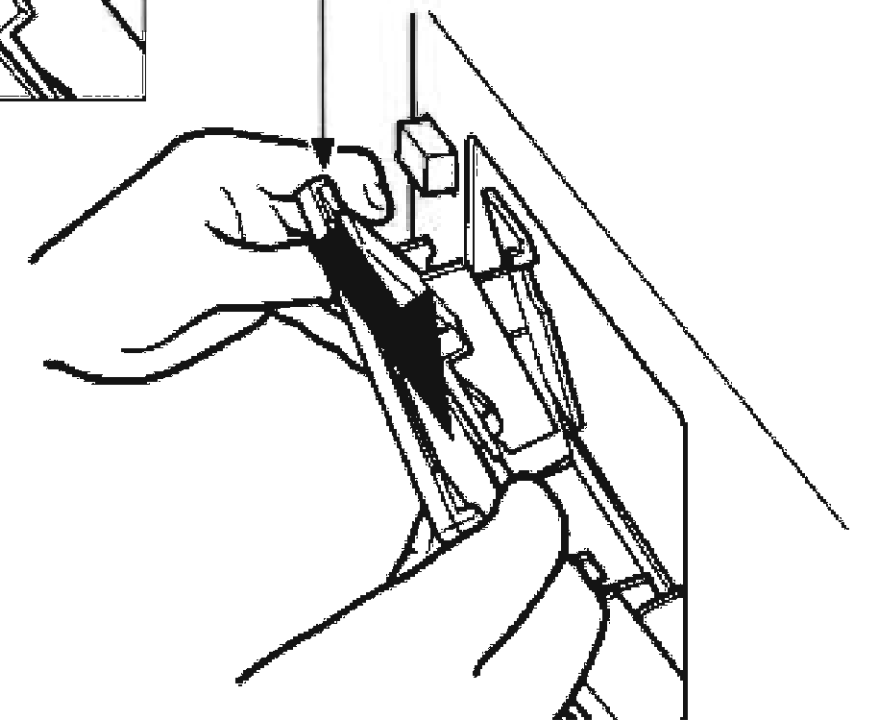
Introduire le bâtonnet par la droite, pour éviter de coincer le tampon d'ouate.

⑥ Une fois le nettoyage terminé, appuyer sur la touche [■].

⑦ Appuyer sur la touche [EJECT] pour replacer le couvercle.



Présenter le couvercle en face du support comme le montre l'illustration et faire glisser le couvercle vers le bas.



● Ne pas introduire l'ELCASET tant que l'alcool n'a pas séché complètement sur les parties nettoyées.

### Démagnétisation des têtes

La magnétisation résiduelle des têtes s'accroît avec une utilisation continue, et peut être à l'origine d'une atténuation des hautes fréquences et d'un bruit de friture. Les têtes et les parties métalliques du passage de la bande doivent être démagnétisées toutes les 20-30 heures d'utilisation, avec un démagnétiseur de tête disponible sur le marché. S'assurer que l'appareil est hors tension.

### Nettoyage du coffret

Nettoyer le coffret, le panneau et les boutons à l'aide d'un chiffon doux, légèrement imbibé d'une légère solution de détergent. N'utiliser ni poudre abrasive, ni détergent tel que l'alcool ou la benzine.

### Vérification intérieure

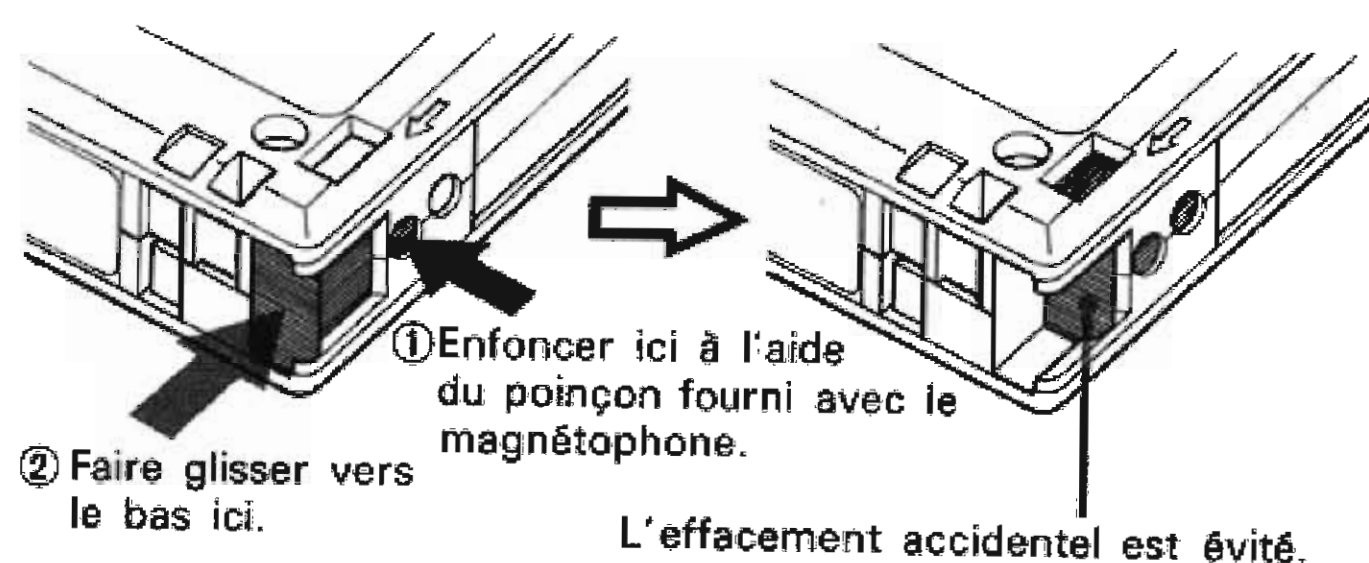
Consulter le concessionnaire Sony le plus proche une fois par an pour maintenir les performances au niveau optimum.



## REMARQUES SUR L'ELCASET

### Segments de sécurité contre l'effacement

Pour protéger la bande d'un effacement accidentel, sur le côté désiré, faire glisser vers le bas, le segment (à l'endroit indiqué par une flèche). Pour enregistrer de nouveau sur la bande, faire glisser le segment vers le haut.



### Soin de l'ELCASET

- Avant d'introduire l'ELCASET, bien tendre la bande pour éviter qu'elle ne s'enroule autour du cabestan.
- L'ELCASET est munie de protecteurs de bande à charnières et de bloqueurs de bobines; manipuler ces pièces avec soin pour éviter d'endommager la bande.
- Éviter de rebobiner ou débobiner la bande en mode rapide juste avant de ranger l'ELCASET, car ceci peut causer un élargissement permanent de la bande si elle est ainsi laissée pendant un certain temps.
- Protéger l'ELCASET de tout choc excessif. Ne pas la laisser tomber.
- Placer l'ELCASET à l'abri des champs magnétiques comme ceux provenant des haut-parleurs, amplificateurs, etc., pour éviter tout effacement ou bruit de vos bandes enregistrées.
- Ne pas exposer l'ELCASET au rayonnement direct du soleil, à des températures trop basses, à l'humidité.
- Protéger l'ELCASET de la poussière en la rangeant dans son étui protecteur. Un dépôt de saleté le plus infime peut encrasser les têtes et causer bruit et lacunes sonores.
- Lorsque la bande n'est pas utilisée pendant une longue période, faire défiler la bande de temps en temps, pour éviter que l'enregistrement d'un côté de la bande ne s'imprime sur l'autre.

## PARTICULARITES

Les touches de commande à effleurement sont reliées à des circuits logiques qui permettent le passage direct d'un mode de fonctionnement à un autre sans que la bande en soit affectée.

Les têtes F&F (Ferrite et Ferrite) à hautes performances se distinguent par leur longévité et la stabilité de leurs caractéristiques.

Pour améliorer le rapport signal/bruit, la tête est couplée par liaison directe au transistor à effet de champ du premier étage du préamplificateur de reproduction.

Ce magnétophone permet de déclencher automatiquement l'enregistrement ou la reproduction à l'aide d'une minuterie.

L'utilisation du système Dolby NR pour l'enregistrement ou la reproduction assure une réduction importante du souffle des bandes et une élévation significative du rapport signal/bruit. Le filtre multiplex incorporé élimine la fréquence pilote FM de 19 kHz et la sous-porteuse de 38 kHz, ce qui permet d'enregistrer dans des conditions optimales les émissions FM stéréo codée avec Dolby.

Grâce au réglage [PHONES LEVEL] on peut régler à sa guise le niveau d'écoute du casque.

## SPECIFICATIONS

Alimentation	110, 120, 220 ou 240 V CA~, 50/60 Hz
Consommation	44 W
Semi-conducteurs	4 IC, 82 transistors, 60 diodes, 2 FET, 1 phototransistor
Vitesse de bande	9,5 cm/s
Durée de bobinage rapide	Env. 75 sec. (avec LC-60)
Système d'enregistrement	4 pistes 2 canaux stéréo
Fréquence du courant de polarisation	160 kHz
Rapport signal/bruit	Le système Dolby NR hors circuit <ul style="list-style-type: none"> <li>● Avec une ELCASET type II (FeCr)           <ul style="list-style-type: none"> <li>62 dB au niveau de crête (NAB)</li> <li>62 dB (DIN nouveau : 1975)</li> <li>54 dB (DIN ancien)</li> </ul> </li> <li>● Avec une ELCASET type I (SLH)           <ul style="list-style-type: none"> <li>59 dB au niveau de crête (NAB)</li> <li>59 dB (DIN nouveau : 1975)</li> <li>51 dB (DIN ancien)</li> </ul> </li> </ul> Le système Dolby NR en circuit Amélioration de 5 dB à 1 kHz, 10 dB au-dessus de 5 kHz
Distorsion harmonique totale	0,8%
Réponse en fréquence	Le système Dolby NR hors circuit <ul style="list-style-type: none"> <li>● Avec une ELCASET type II (FeCr)           <ul style="list-style-type: none"> <li>15 - 25 000 Hz (NAB)</li> <li>25 - 20 000 Hz <math>\pm 3</math> dB (NAB)</li> <li>20 - 22 000 Hz (DIN)</li> </ul> </li> <li>● Avec une ELCASET type I (SLH)           <ul style="list-style-type: none"> <li>15 - 23 000 Hz (NAB)</li> <li>25 - 18 000 Hz <math>\pm 3</math> dB (NAB)</li> <li>20 - 20 000 Hz (DIN)</li> </ul> </li> </ul>
Pleurage et scintillement	0,06% WRMS (NAB), $\pm 0,12\%$ (DIN)
Entrées	Prises de microphone (prises téléphoniques) . . . . . 2 sensibilité 0,3 mV (-68 dB) pour le microphone à basse impédance Entrées ligne (prise à deux voies stéréo) . . . . . 1 (prises coaxiales) . . . . . 2 sensibilité 0,095 V (-18 dB) impédance d'entrée 100 kohms Sorties ligne (prises coaxiales) . . . . . 2 niveau de sortie 0,775 V (0 dB) à l'impédance de charge 100 kohms avec le réglage [LEVEL ADJUST] tourné complètement dans le sens des aiguilles d'une montre impédance de charge appropriée supérieure à 10 kohms Prise de casque . . . . . 1 impédance de charge appropriée 8 ohms à 32 ohms
Prise DIN d'enr./écoute	Impédance d'entrée inférieure à 10 kohms Impédance de sortie inférieure à 10 kohms
Dimensions hors tout	Env. 430 x 170 x 320 mm (l/h/p)
Poids	Env. 10,5 kg
Accessoires fournis	Cordons de Raccord RK-74H (2) Bâtonnets de nettoyage de tête (1 jeu) Poinçon

## ELCASET - Nouveau support matériel pour les enregistrements haute fidélité

Le succès spectaculaire des cassettes compactes du type Philips s'explique surtout à l'origine par leur commodité d'emploi, mais les perfectionnements récents en ont fait un support matériel valable même pour réaliser de vrais enregistrements haute fidélité. De nombreux mélomanes et amateurs de haute fidélité continuent cependant à accorder leur préférence aux magnétophones à bande, qui offrent une qualité de reproduction difficile à égaler avec les cassettes compactes.

Aussi pratique qu'une cassette compacte, le nouveau système "ELCASET" ne le cède en rien aux bobines ouvertes sur le plan des performances sonores, tout en offrant les avantages suivants.

### Gamme dynamique très étendue

La bande de l'ELCASET a 6,3 mm de large, et sa vitesse de défilement est de 9,5 cm/s, ce qui lui confère une réponse plus étendue dans le registre aigu et une gamme dynamique plus ample si on la compare à une cassette compacte.

Ces caractéristiques se manifestent à l'écoute par une nette différence dans la qualité du son reproduit. (fig. ①)

### Stabilité du défilement de la bande

Dans une cassette compacte de type traditionnel, la bande est guidée par une colonne de guidage incorporée à la cassette elle-même, de sorte que la précision du défilement dépend pour beaucoup de la précision dimensionnelle du logement de cassette. C'est pourquoi il est si difficile de réaliser des cassettes compactes capables de très bonnes performances.

La bande l'ELCASET est également incluse dans un logement, mais elle est automatiquement tirée à l'extérieur par le mécanisme d'entraînement du magnétophone. Par conséquent, la stabilité du défilement de la bande est indépendante de la précision de fabrication du logement de cassette. (fig. ②)

### Compatibilité des pistes pour la stéréo et la monophonie

L'ELCASET fonctionne suivant le même principe qu'une cassette compacte, c'est-à-dire que la bande comporte quatre pistes réparties entre les côtés A et B, chaque côté pouvant être enregistré ou reproduit en stéréo ou en monophonie.

Il est donc possible d'enregistrer ou de reproduire indifféremment en stéréo ou monophonie.

La largeur de la bande à quatre pistes de l'ELCASET est presque le double de celle d'une cassette compacte, et n'est pas loin d'atteindre celle des bandes à quatre pistes montées sur bobines ouvertes. On obtient ainsi un aussi bon rapport signal/bruit qu'avec les bobines ouvertes.

### Protecteurs de bande

L'ELCASET est munie d'un protecteur de bande de chaque côté, à gauche et à droite. Lorsqu'on sort l'ELCASET du magnétophone, ces protecteurs se ferment pour protéger la bande. Les protecteurs sont ouverts automatiquement par le magnétophone, et la bande engagée dans le mécanisme, lorsque l'ELCASET est introduite dans le magnétophone et qu'on appuie sur une touche de commande. (fig. ③)

La conception et les caractéristiques peuvent être modifiées sans préavis.

### Bloqueurs de bobines

L'ELCASET est également équipée de bloqueurs de bobines qui empêchent les bobines de tourner, de sorte que la bande ne puisse pas se détendre lorsqu'on manipule l'ELCASET. Ces bloqueurs sont automatiquement libérés au moment où on introduit l'ELCASET dans le magnétophone. (fig. ④)

### Segments de sécurité contre l'effacement

Sur une cassette compacte, la protection contre l'effacement accidentel s'effectue en cassant les lamelles des encoches de sécurité : une fois ces lamelles enlevées, la cassette ne peut être réenregistrée que si on couvre ces encoches. Sur l'ELCASET, la protection est assurée de façon beaucoup plus commode par des segments de sécurité coulissants. (fig. ⑤)

### Types de bande

L'ELCASET offre trois types de bande différents, indiqués comme suit sur les étiquettes des cassettes.

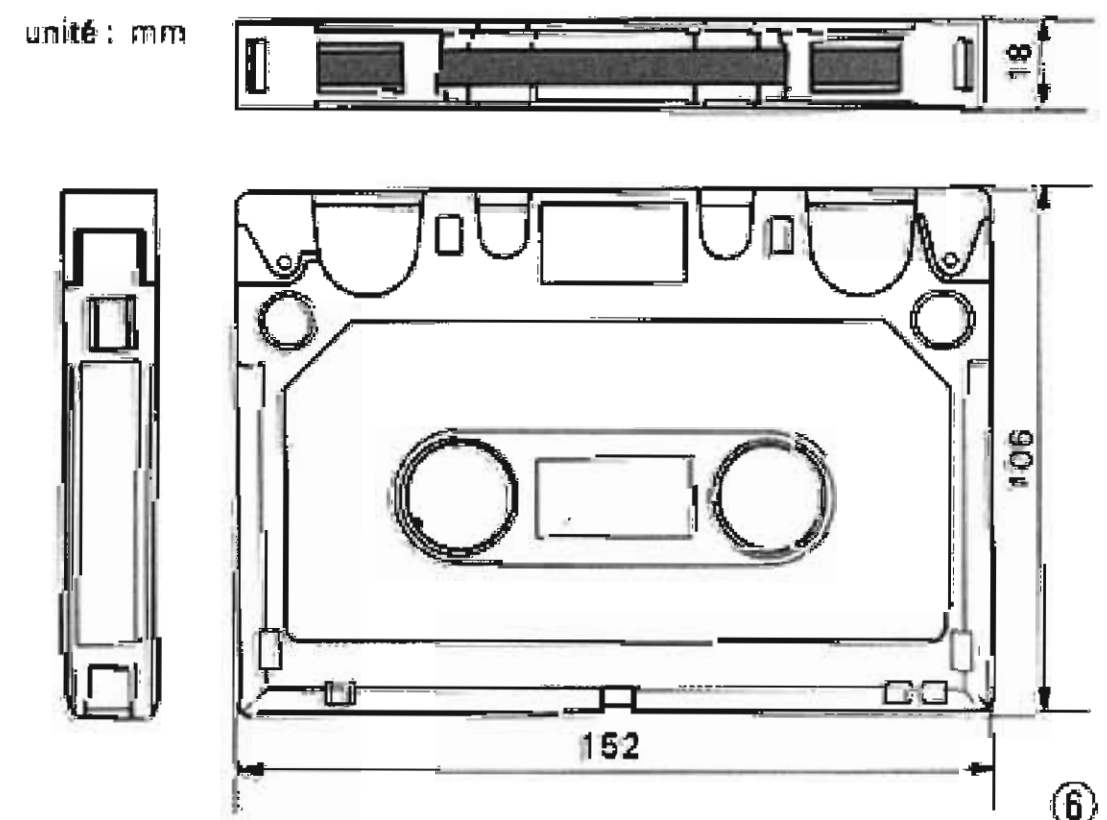
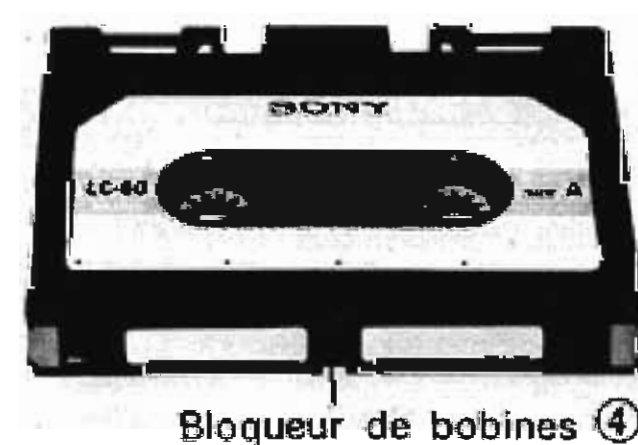
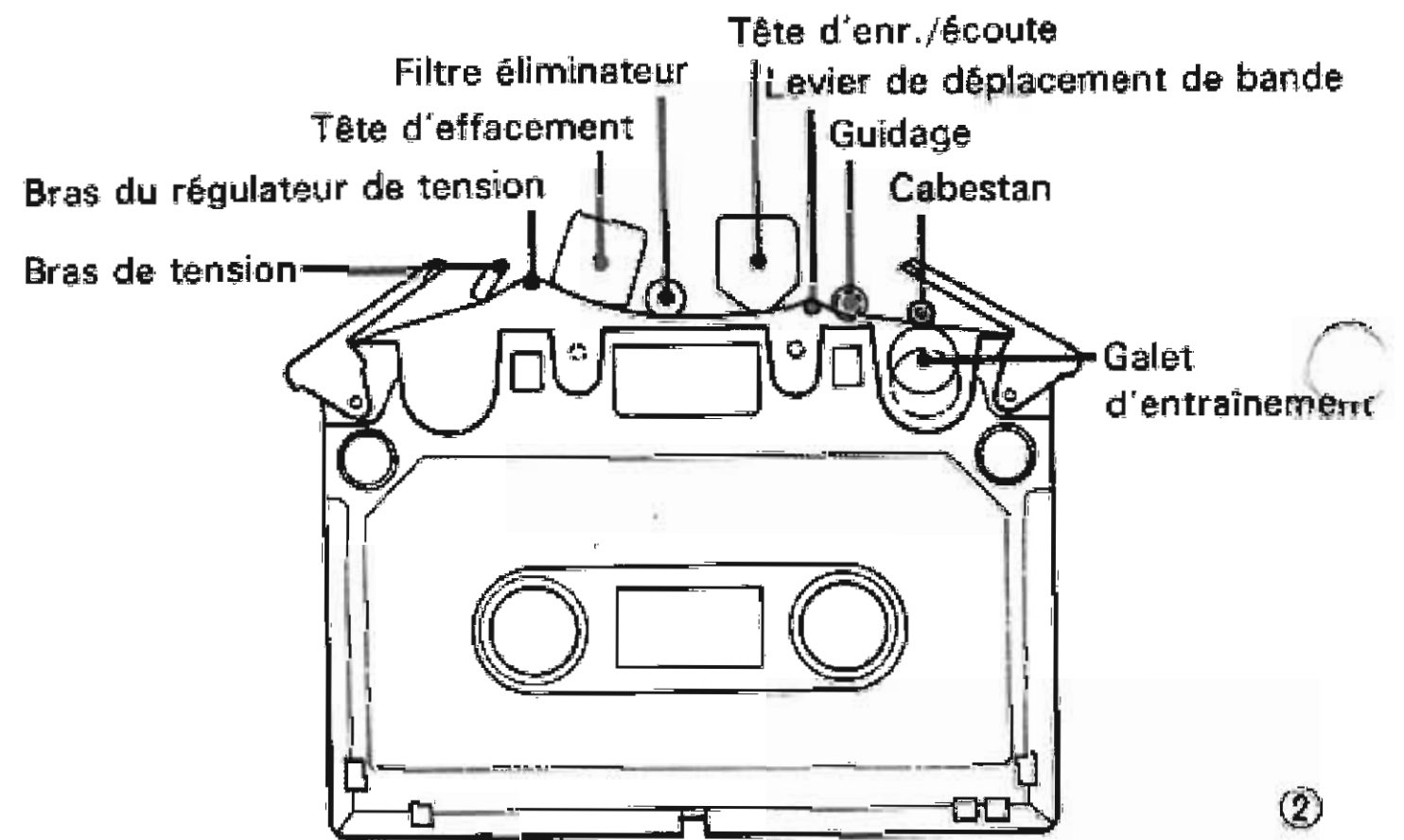
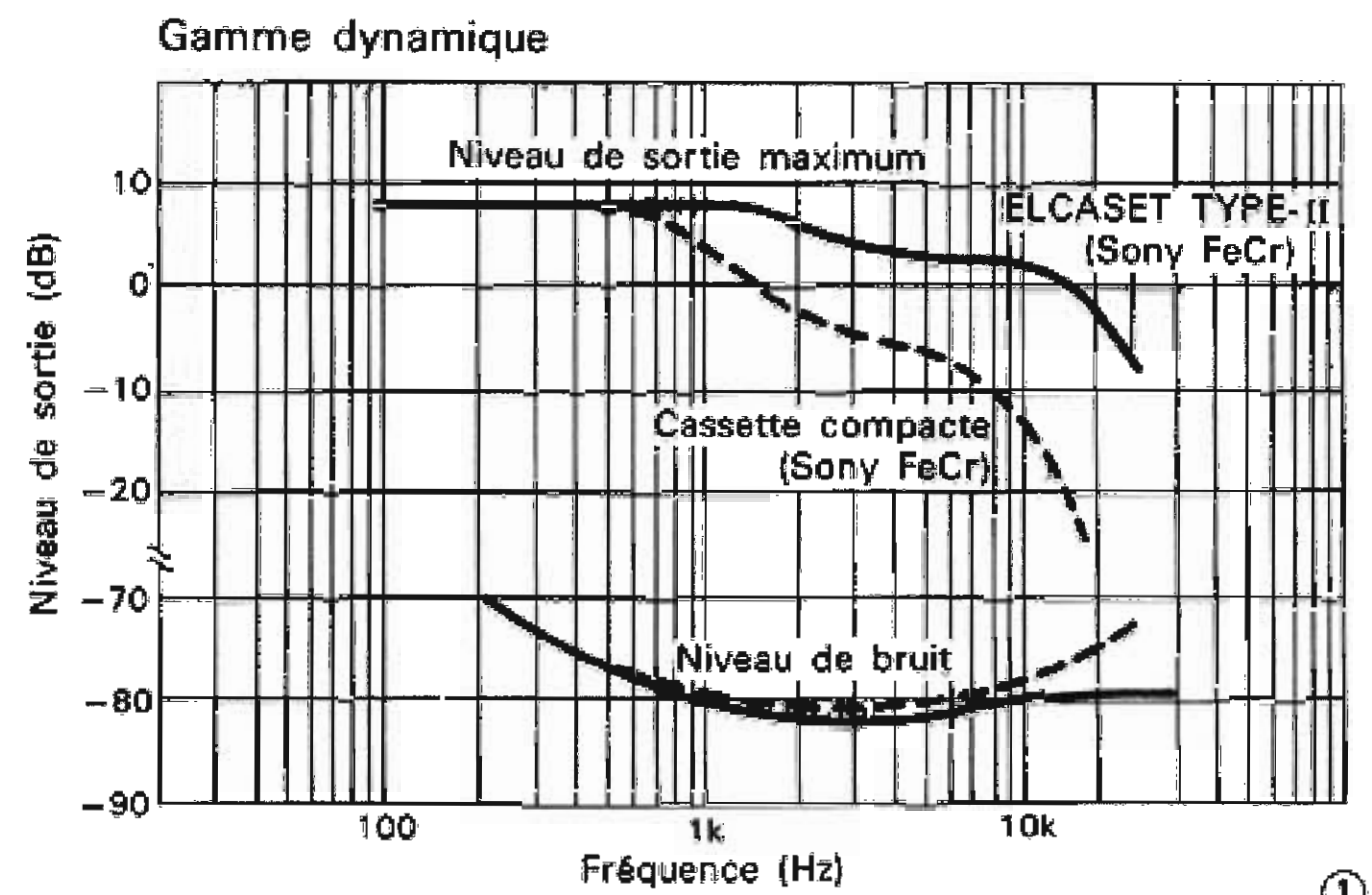
Le TYPE I correspond aux bandes "low noise" à faible bruit (appelées bandes SLH par Sony). Le TYPE II présente des performances à celles des bandes au ferri-chrome (FeCr). Quant au TYPE III, il désigne les bandes au bioxyde de chrome (CrO<sub>2</sub>). Pour obtenir les meilleurs résultats à l'enregistrement ou à la reproduction, placer le sélecteur de bande du magnétophone sur la position correspondant au type de bande utilisé.

### Arrêt automatique déclenché par l'amorce de la bande d'ELCASET

La bande de l'ELCASET est munie d'une amorce transparente à chaque extrémité. Si l'ELCASET est insérée dans un magnétophone équipé d'un dispositif d'arrêt automatique commandé par cellule photo-électrique, le défilement est interrompu automatiquement en fin de bande, quel que soit le mode de fonctionnement, dès que l'amorce arrive en face du senseur photo-électrique.

### Caractéristiques de l'ELCASET

Vitesse de défilement	9,5 cm/s
Largeur de bande	6,3 mm
Constante de temps	3180 microsecondes. + 70 microsecondes
Niveau d'enregistrement de référence	185 nwb/m
Types de bande	TYPE I, II, III
Dimensions	Voir la fig. ⑥.



# DEPANNAGE

Le tableau suivant aidera à surmonter la plupart des difficultés qui peuvent se présenter lors de l'utilisation de cet appareil. Si le problème persiste malgré ces vérifications, consulter le concessionnaire Sony le plus proche.

Avant de parcourir la liste ci-dessous, prêter attention aux points fondamentaux suivants.

- Le cordon d'alimentation doit être connecté fermement.
- Vérifier également la fermeté des connexions à l'amplificateur.
- Les commandes et commutateurs de l'amplificateur doivent être mis en position correcte.
- Les têtes, le galet d'entraînement et le cabestan doivent être nettoyés.

## TOUCHES DE COMMANDE ET PASSAGE DE LA BANDE

**La touche [EJECT] ne s'enfonce pas.**

- Cette touche ne fonctionne pas tant que la bande défile ou qu'une autre touche de commande est enfoncée.

**La bande ne défile pas, même si on appuie sur une touche de commande.**

- La touche [■] est enfoncée.
- Le support d'ELCASET est mal fermé.

**L'enregistrement ou la reproduction démarre dès que l'interrupteur [POWER] est placé sur ON.**

- Le commutateur [TIMER] a été par erreur laissé sur REC ou PLAY.

**Le mécanisme d'arrêt automatique ne fonctionne pas.**

- La lampe de la colonne de guidage est encrassée (voir "Entretien", page 25).

**La bande ne défile pas, bien que le magnétophone soit sous tension et qu'on appuie sur une touche de commande.**

- Après avoir placé l'interrupteur [POWER] sur ON, attendre à peu près deux secondes avant d'enfoncer les touches de commande. Si ce délai n'est pas respecté, les touches de commande à circuits logiques sont inopérantes.

## ENREGISTREMENT OU REPRODUCTION

**Enregistrement impossible ou niveau sonore anormalement bas.**

Les segments de sécurité contre l'effacement de l'ELCASET sont escamotés (voir page 26).

- Têtes encrassées (voir page 25).

**Enregistrement impossible à partir des prises [LINE IN] du panneau arrière.**

- La prise [LINE IN] (type jack de téléphone) du panneau avant est connectée.

**Les aiguilles des VU mètres ne dévient pas.**

- Réglages [REC LEVEL] laissés sur "0".

**Reproduction impossible ou niveau d'écoute insuffisant.**

- Réglage [LEVEL ADJTST] du panneau arrière tourné trop bas.
- Têtes encrassées (voir "Entretien", page 25).

**Trop de pleurage ou scintillement, ou interruption intermittente du son.**

- Cabestan ou galet d'entraînement encrassé.

**Effacement insuffisant.**

- Tête d'effacement encrassée.

**Bruit excessif ou effacement des hautes fréquences.**

- Magnétisme résiduel sur les têtes.

**Déséquilibre de la tonalité dans le registre aigu.**

- Le commutateur [DOLBY NR] doit être placé sur ON pour la reproduction des bandes enregistrées avec Dolby NR, et sur OFF pour la reproduction des bandes enregistrées sans Dolby NR.

● Les sélecteurs [TAPE SELECT] doivent occuper les mêmes positions pour l'enregistrement et la reproduction. S'ils n'occupaient pas la position correcte pendant l'enregistrement, ajuster les correcteurs de tonalité de l'amplificateur lors de la reproduction.

**La bande s'arrête avant "000" lors du rebobinage, bien que le compteur à mémoire ait été programmé.**

- On a oublié de bobiner l'amorce de la bande avant de remettre le compteur sur "000" (voir "Utilisation du compteur à mémoire", page 24).

**Le son n'est entendu quelques secondes après la mise sous tension.**

- Cela n'a rien d'anormal et provient simplement du silencieux incorporé aux circuits pour supprimer les bruits de commutation intempestifs.

## BRUIT DE HURLEMENT OU DE BOURDONNEMENT

**L'oscillation se produit lorsqu'on enregistre à partir de l'amplificateur.**

- Si les sorties [LINE OUT] du magnétophone sont raccordées aux entrées auxiliaires de l'amplificateur et si ces dernières sont en circuit, changer la position du sélecteur d'entrées de l'amplificateur.

**L'oscillation se produit lorsqu'on enregistre à partir du microphone.**

- Le microphone est trop près des haut-parleurs. Éloigner le microphone des haut-parleurs ou réduire le volume de l'amplificateur.

**Bourdonnement**

- Le magnétophone est directement posé sur ou sous l'amplificateur.

## INHALTSVERZEICHNIS

Vorsicht . . . . .	30
Spannungseinstellung . . . . .	30
Zur besonderen Beachtung . . . . .	31
Lage und Funktion der Bedienungselemente . . . . .	32
Anschlüsse . . . . .	34
Aufnahme . . . . .	36
Wiedergabe . . . . .	37
Löschen . . . . .	37
Aufnahme nach dem Dolbyverfahren . . . . .	37
Zeitgesteuerte Aufnahme und Wiedergabe . . . . .	38
Mischen von Aufnahmen über Mikrofon und Direkteingang . . . . .	38
Funktion des Zählwerkspeichers . . . . .	38
Wartung und Pflege . . . . .	39
Hinweise zu ELCASET-Kassetten . . . . .	40
Besondere Merkmale . . . . .	40
Technische Daten . . . . .	41
ELCASET—Ein neues Audioaufnahmesystem . . . . .	41
Störungsüberprüfungen . . . . .	43

## VORSICHT

Um einen elektrischen Schlag oder Brandgefahr zu vermeiden, setzen Sie das Gerät weder Regen noch Feuchtigkeit aus.

Um einen elektrischen Schlag zu vermeiden, darf das Gehäuse nicht geöffnet werden. Überlassen Sie Wartungsarbeiten nur qualifiziertem Personal.

## SPANNUNGSEINSTELLUNG

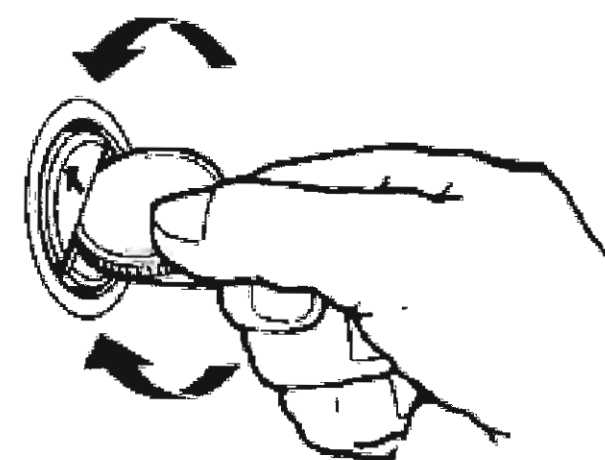
Bevor Sie die Einheit an eine Stromquelle anschließen, überprüfen Sie, ob der Spannungswähler richtig auf Ihr Stromnetz eingestellt ist.

(Der Spannungswähler befindet sich auf der Rückseite.)

Muß der Spannungswähler umgestellt werden, ändern Sie seine Einstellung wie folgt:

**VORSICHT:** Vergewissern Sie sich, daß das Netzkabel herausgezogen ist.

Drehen Sie den Spannungswähler mit einer Münze, so daß seine Pfeilmarkierung auf die erforderliche Voltzahl zeigt.



# ZUR BESONDEREN BEACHTUNG

## Zur Sicherheit

- Vor Inbetriebnahme vergewissern Sie sich, ob die Betriebsspannung Ihres Gerätes mit der örtlichen Netzspannung übereinstimmt.
- Sollte Flüssigkeit oder ein Fremdkörper in das Geräteinnere gelangen, entfernen Sie alle Anschlüsse und lassen Sie das Gerät von einem Fachmann überprüfen, bevor Sie es weiter benutzen.
- Ziehen Sie den Netzstecker aus der Steckdose, wenn Sie das Gerät über längere Zeit nicht benutzen. Um das Netzkabel herauszuziehen, fassen Sie es immer am Stecker an. Ziehen Sie niemals an der Schnur.

## Zur Aufstellung

- Gute Luftzirkulation ist notwendig, um einen Wärmestau im Innern des Gerätes zu vermeiden. Stellen Sie das Gerät daher so auf, daß es von genügend Luft durchströmt werden kann.
- Stellen Sie das Gerät nicht neben Wärmequellen wie Heizungen und Warmluftauslässen oder an Plätzen auf, wo es direktem Sonnenlicht, übermäßigem Staub oder Erschütterungen ausgesetzt ist.

Ihre Kassettenkomponente ist nur für den Betrieb in der vertikalen Lage geeignet.

## Zur Tonkopfreinigung

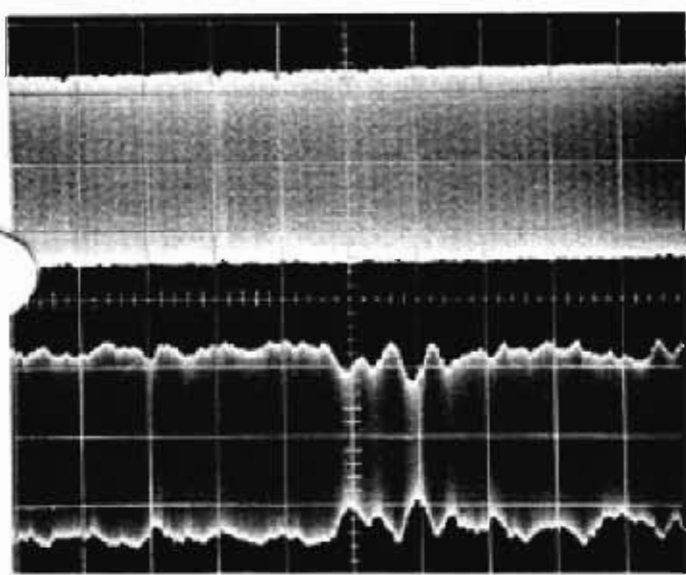
Die optimale Arbeitsweise Ihrer Kassettenkomponente hängt von der regelmäßigen Reinigung der Tonköpfe und aller Oberflächen, über die das Band läuft, ab. Verschmutzte Tonköpfe und Bandwege verursachen:

- Schlechte Wiedergabe hoher Frequenzen
- Verringerung der Lautstärke
- Klanglöcher (drop outs) usw.

Nach jeweils 10 Stunden Betriebsdauer sollte eine Reinigung durchgeführt werden.

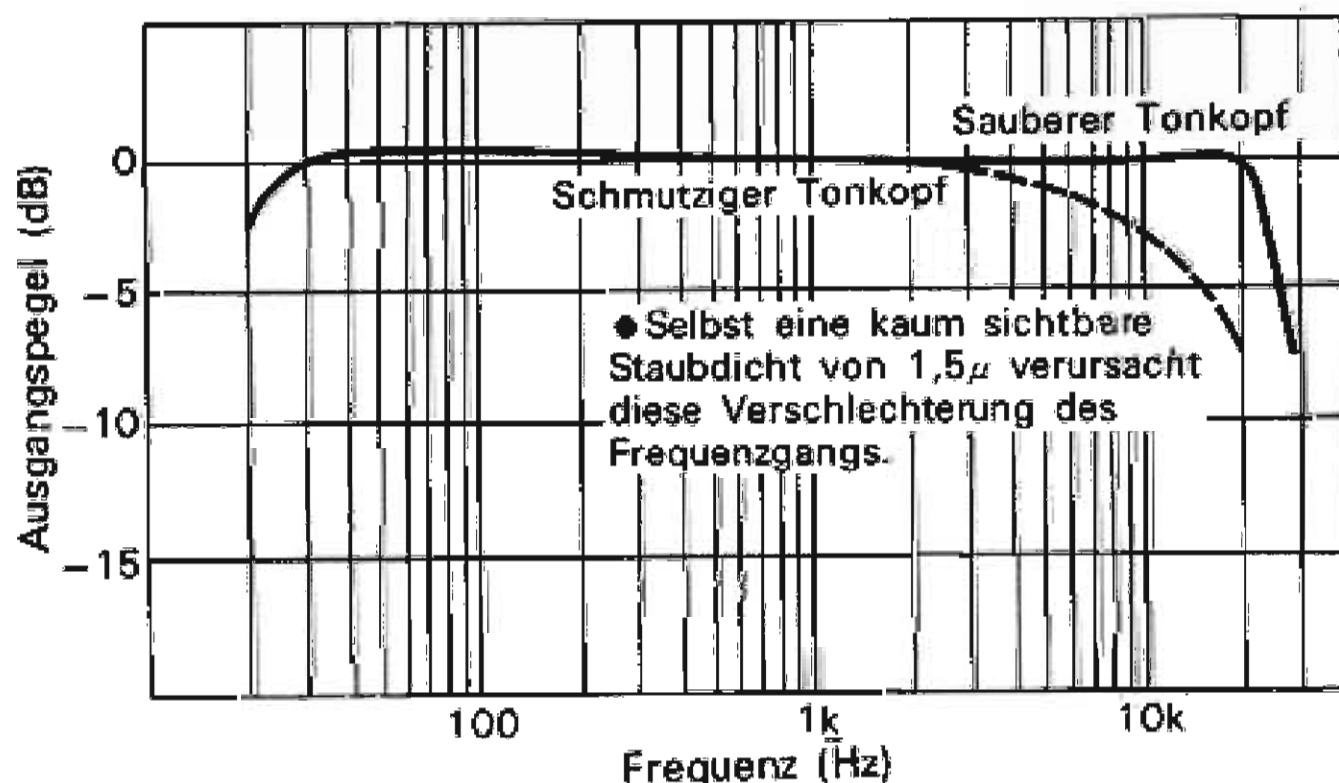
Einzelheiten hierzu entnehmen Sie bitte aus „Wartung und Pflege“.

Wiedergabe-Signal bei 10 kHz



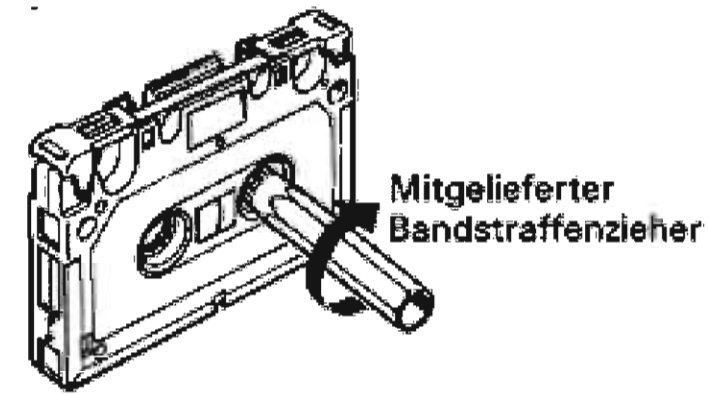
Mit sauberem Tonkopf

Mit schmutzigem Tonkopf  
Der Ausgangspegel schwankt.

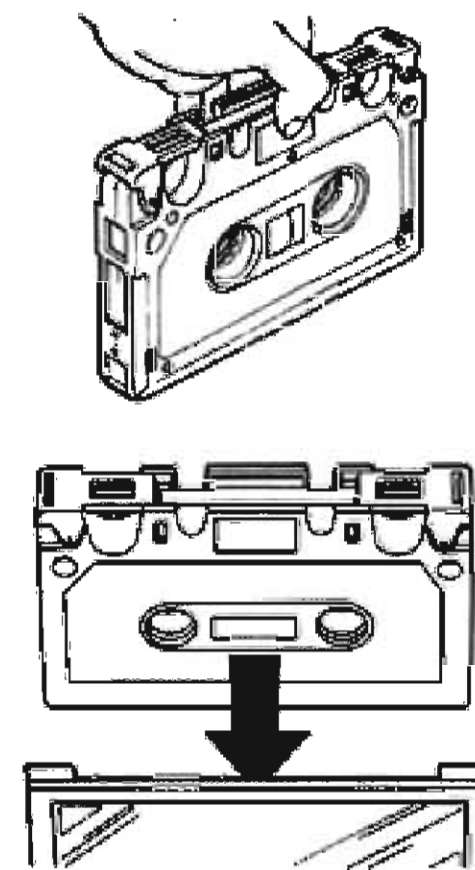


## Zu ELCASET-Kassetten

- Bevor Sie die ELCASET-Kassette einlegen, straffen Sie das Band. Sie verhüten damit, daß es sich um die Antriebswelle schlingt.



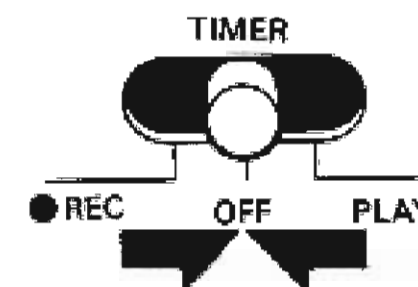
- Halten Sie die ELCASET-Kassette wie abgebildet und behalten Sie die Seite, auf der das Band sichtbar ist, im Auge, wenn Sie die Kassette in die Kassettenkomponente einlegen. Vermeiden Sie es, die Oberfläche des Bandes zu berühren oder es aus dem Kassettengehäuse zu ziehen.



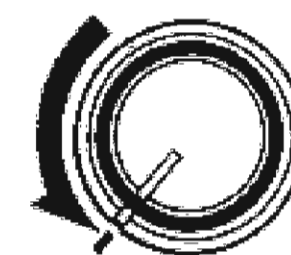
Nähere Einzelheiten zu den ELCASET-Kassetten erfahren Sie in den Kapitel „Hinweise zu ELCASET-Kassetten“ und „ELCASET—Ein neues Audioaufnahmesystem“.

## Andere wichtige Punkte, die Sie beachten müssen

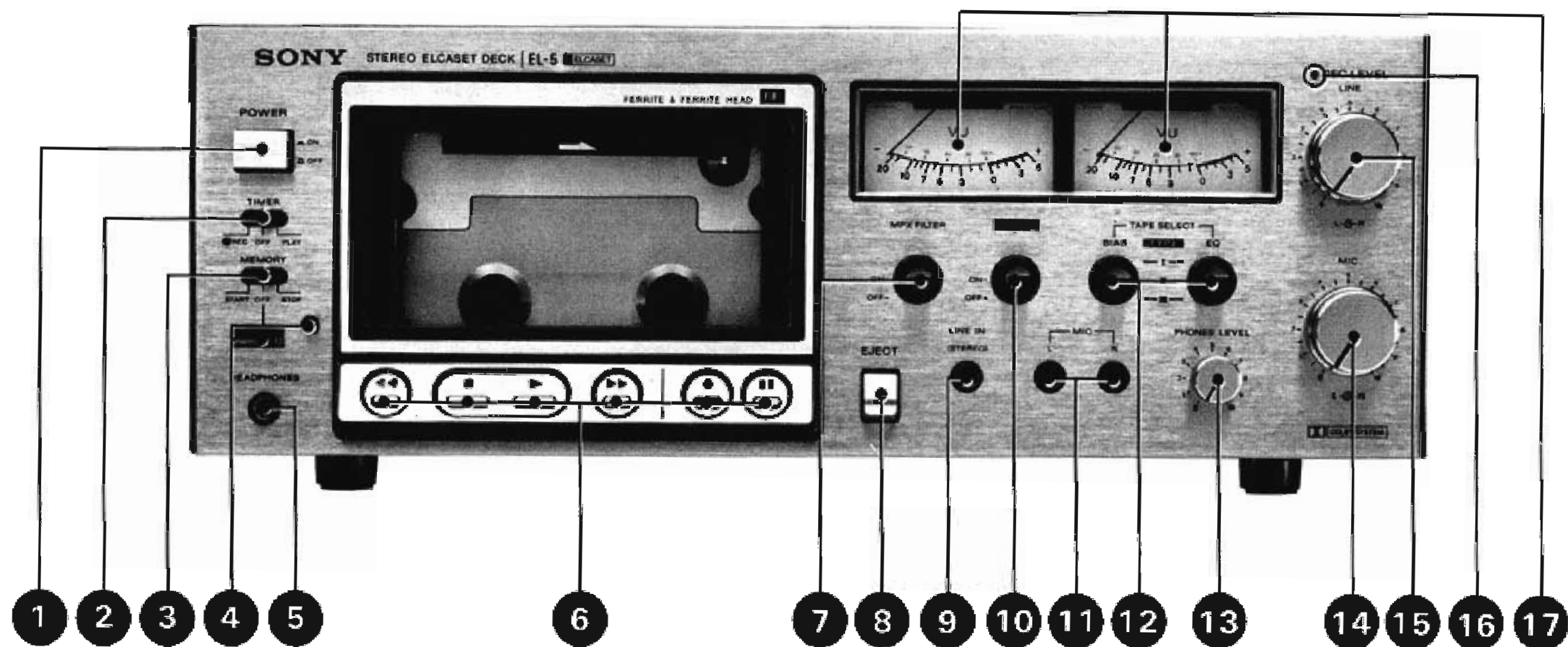
- Bevor Sie den Netzschalter drücken, vergewissern Sie sich, daß der Zeitschalter auf OFF steht. Zum zeitgesteuerten Betrieb sollte dieser Schalter auf REC oder PLAY gestellt werden.



- Drücken Sie den ELCASET-Kassettenhalter sanft hinein, bis er einrastet. Sie vermeiden so eine Beschädigung des Bandes.
- Die Kassettenauswurf-taste kann nicht gedrückt werden, während das Band läuft.
- Drehen Sie die Aufnahmepegelregler (MIC oder LINE), die während der Aufnahme nicht benötigt werden, ganz zurück.



# LAGE UND FUNKTION DER BEDIENUNGSELEMENTE



## ① Netzschalter [POWER]

Damit wird der Strom ein- und ausgeschaltet. Die VU-Meter leuchten auf, wenn die Einheit angeschaltet wird.

## ② Zeitschalter [TIMER]

Unter Verwendung einer handelsüblichen Schaltuhr ist automatisches Aufnehmen und Abspielen zu jeder beliebigen Zeit möglich. Zum Aufnehmen stellen Sie den Zeitschalter [TIMER] auf REC (die rote Lampe leuchtet auf), zur Wiedergabe stellen Sie ihn auf PLAY. (Siehe „Zeitgesteuerte Aufnahme und Wiedergabe“.)

● Achten Sie darauf, diesen Schalter auf OFF zu stellen, wenn die Zeitschaltuhr nicht verwendet wird. Andernfalls wird, nachdem das Gerät eingeschaltet ist und der Zeitschalter [TIMER] auf REC steht, das bespielte Band gelöscht.

## ③ Speicherschalter [MEMORY]

Wird die Kassette zurückgespult und erreicht den Zählwerkstand „000“ (tatsächlicher Zählwerkstand „999“, um zu vermeiden, daß der Startpunkt der Aufnahme weggeschnitten wird), wird das Band angehalten, wenn dieser Schalter auf STOP steht, oder das zurückgespulte Band von diesem Punkt aus abgespielt, wenn der Schalter auf START steht. (Siehe „Funktion des Zählwerkspeichers“.)

## ④ Bandzählwerk und Rückstellknopf

Bei Beginn einer Aufnahme drücken Sie den Rückstellknopf. Die Ziffern des Bandzählwerks ändern sich entsprechend der Richtung und Geschwindigkeit des Bandes. Notieren Sie sich den Zählwerkstand zum späteren Wiederauffinden bestimmter Programmstellen.

## ⑤ Kopfhörerbuchse [HEADPHONES]

Schließen Sie einen 8 bis 32 ohmigen Kopfhörer an, um entweder die Aufnahme der Eingangssignale zu verfolgen oder um das wiedergegebene Programm anzuhören. Die Lautstärke wird durch den Kopfhörerpegelregler [PHONES LEVEL] eingestellt.

## ⑥ Funktionstasten

● Rücklauftaste [◀◀]: Drücken Sie diese Taste zum Rückspulen des Bandes.

● Stoptaste [■]: Drücken Sie diese Taste, um den Bandlauf anzuhalten. Am Ende eines Bandes werden in jeder Betriebsart die Motoren automatisch gestoppt.

● Starttaste [▶]: Drücken Sie diese Taste zum Abspielen einer Kassette. Zum Aufnehmen drücken Sie diese Taste und die Aufnahmetaste [●] gleichzeitig.

● Schnellvorlauftaste [▶▶]: Drücken Sie diese Taste, um das Band schnell vorzuspulen.

● Aufnahmetaste [●]: Zum Aufnehmen drücken Sie diese Taste und die Starttaste [▶] gleichzeitig.

● Pausentaste [■]: Zum kurzzeitigen Anhalten des Bandes während der Aufnahme oder Wiedergabe, drücken Sie diese Taste. Um das Band erneut zu starten, drücken Sie diese Taste noch einmal. Benutzen Sie diese Taste auch für den glatten Start einer Aufnahme. (Siehe „Aufnahme“.)

#### 7 Multiplexfilterschalter [MPX FILTER]

Stellen Sie diesen Schalter nur auf ON, wenn Sie ein UKW-Stereoprogramm mit dem Dolby-Rauschunterdrückungsverfahren aufnehmen. Bei der Aufnahme anderer Programme stellen Sie diesen Schalter auf OFF. Dieser Schalter hat für den Wiedergabebetrieb keine Bedeutung.

#### 8 Kassettenauswurf Taste [EJECT]

Drücken Sie diese Taste zum Öffnen des Kassettenschalters. Sie kann nicht gedrückt werden, wenn das Band in irgendeiner Betriebsart läuft.

#### 9 Direkteingangsbuchse [LINE IN (STEREO)]

Benutzen Sie diese Stereo-Klinkenbuchse als Zusatzeingang für Aufnahmen von einem anderen Tonbandgerät oder Tuner usw.. Sind jedoch gleichzeitig die Direkteingangsbuchsen [LINE IN] auf der Rückseite belegt, können Sie nur über diese Buchse (auf der Vorderseite) aufnehmen.

#### 10 Dolbyschalter [DOLBY NR]\*

Aufnahmen und Wiedergaben mit Dolby-Rauschunterdrückung stellen Sie ihn auf ON. Für Aufnahmen und Wiedergaben nicht-dolbysierter Bänder stellen Sie ihn auf OFF.

\* Der Name „Dolby“ und das Doppel-D-Symbol sind eingetragene Warenzeichen der Dolby Laboratories Inc.. Das Rauschunterdrückungssystem wird unter Lizenz der Dolby Laboratories Inc. gefertigt.

#### 11 Mikrofonbuchsen [MIC]

Jedes niederohmige Qualitätsmikrofon mit Klinkenstecker kann angeschlossen werden. Wenn Ihr Mikrofon einen Ministecker hat, so benötigen Sie einen Zwischenstecker, um es an die Klinkenbuchse anzuschließen.

#### 12 Bandartenwahlschalter [TAPE SELECT]

Stellen Sie beim Aufnehmen den Entzerrerschalter [EQ] (für die korrekte Ausgleichskennlinie) und den Vormagnetisierungswähler [BIAS] (für den optimalen Vormagnetisierungsstrom) entsprechend dem verwendeten Bandtyp ein. Der Bandtyp ist auf dem Etikett der ELCASET-Kassette angegeben.

Diese Schalter haben keine Bedeutung für die Wiedergabe.

TYPE I für Sony SLH-Band  
TYPE II für Sony FeCr-Band  
TYPE III für CrO<sub>2</sub>-Band

#### 13 Kopfhörerpegelregler [PHONES LEVEL]

Dieser Regler stellt den Ausgangspegel des Kopfhörers ein. In der Stellung „0“ kann der Ton schwach gehört werden.

#### 14 Mikrofonaussteuerungsregler [REC LEVEL-MIC]

An diesen Reglern wird der Aufnahmepegel bei Aufnahmen über die Mikrofon-[MIC] oder DIN-Buchsen [REC/PB] eingestellt. Der innere Knopf regelt den rechten, und der äußere den linken Kanal. Drehen Sie die nicht benutzten Aussteuerungsregler ganz auf „0“.

#### 15 Direkteingangstregler [REC LEVEL-LINE]

An diesen Reglern wird der Aufnahmepegel der Direkteingangsprogramme [LINE IN] auf der Front- und Rückseite des Gerätes eingestellt. Der innere Knopf regelt den rechten, und der äußere den linken Kanal. Drehen Sie die nicht benutzten Regler ganz auf „0“.

#### 16 Aufnahmeanzeigelampe

Diese Lampe leuchtet auf, wenn die Aufnahmetaste gedrückt ist.

#### 17 VU-Meter [VU]

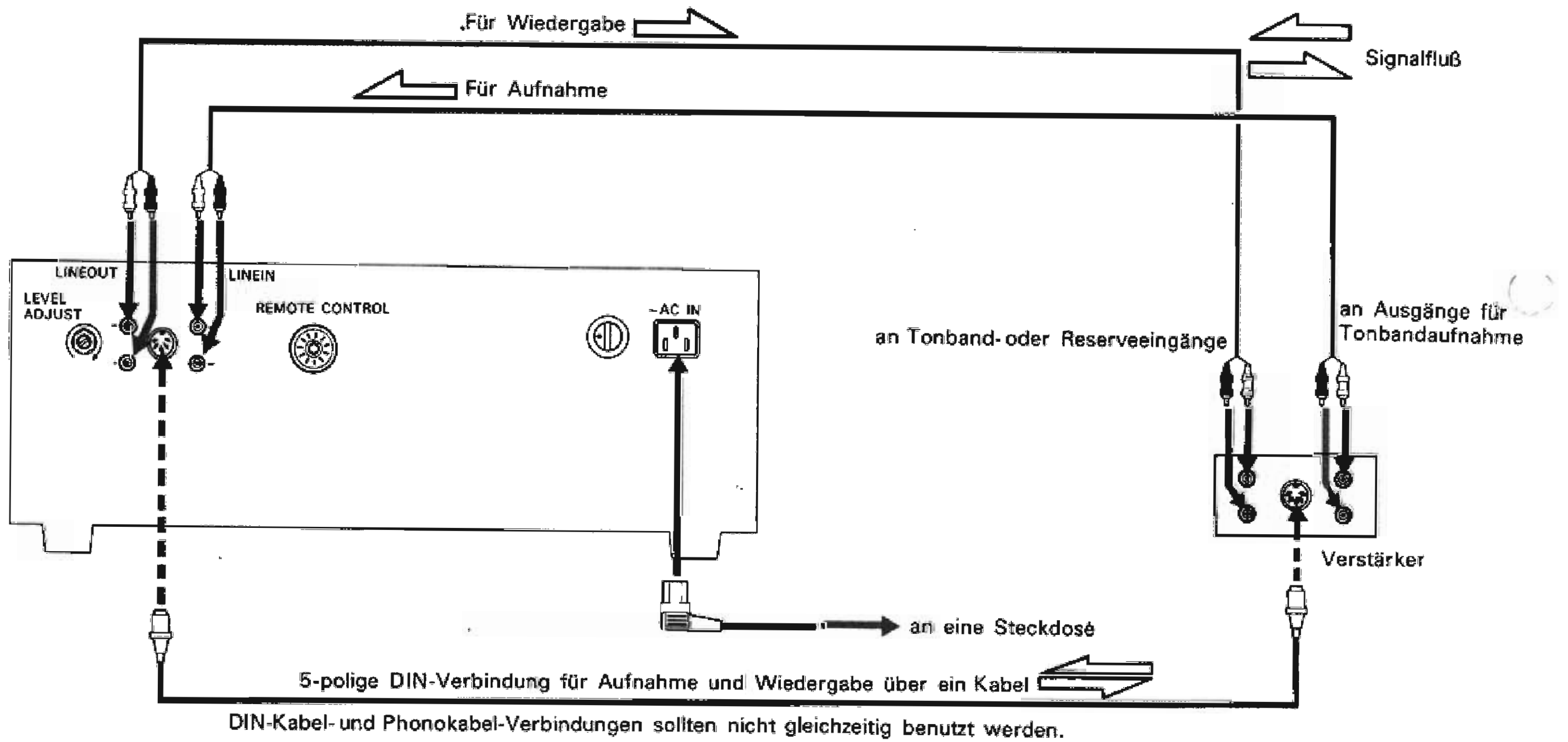
Diese Instrumente zeigen den Eingangspegel jedes Kanals während der Aufnahme und den Pegel des aufgenommenen Programms während der Wiedergabe an.



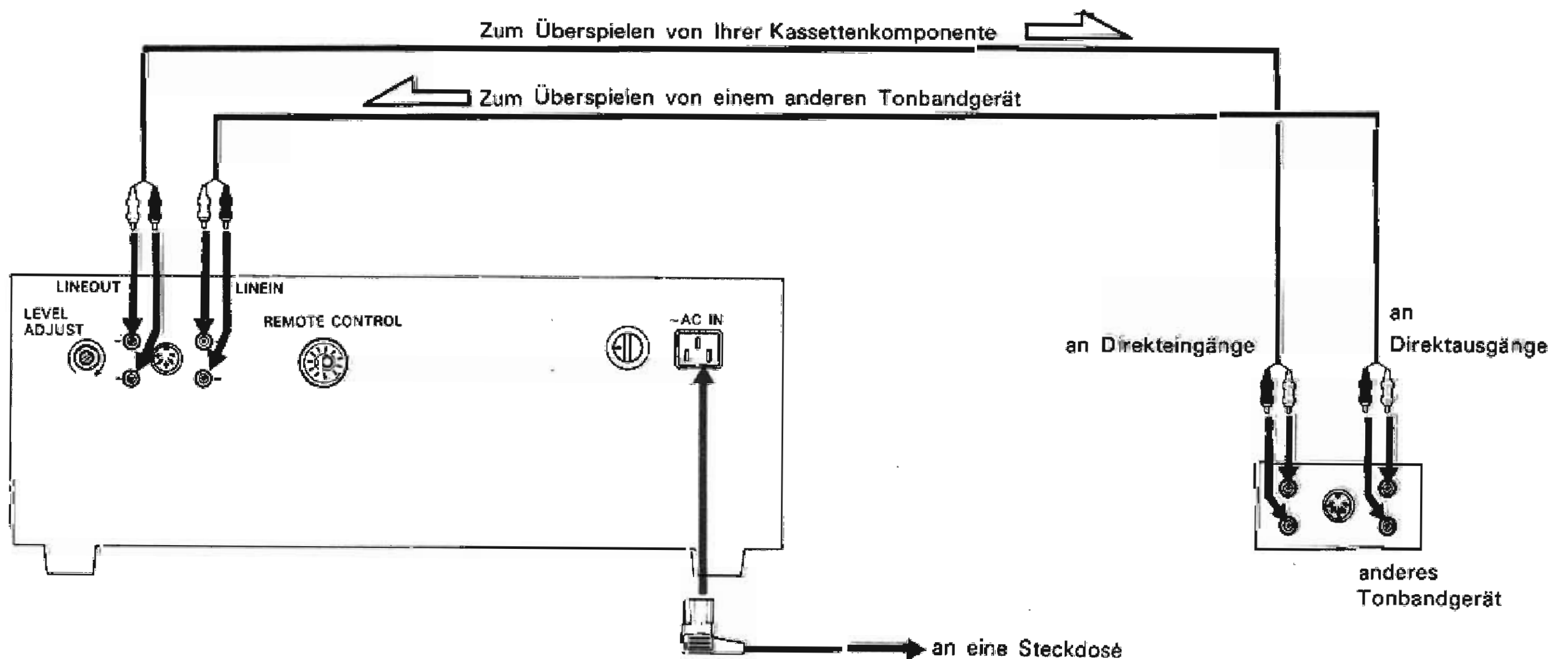
# ANSCHLÜSSE

- Schalten Sie den Verstärker ab, wenn Sie irgendwelche Verbindungen vornehmen.
- Stecken Sie die Anschlüsse der Kabel fest in die Buchsen. Lockere Verbindungen können zu Brumm und Rauschen führen.
- Der rote Stecker des mitgelieferten Verbindungskabels sollte mit dem rechten Kanal verbunden werden, der graue Stecker mit dem linken.

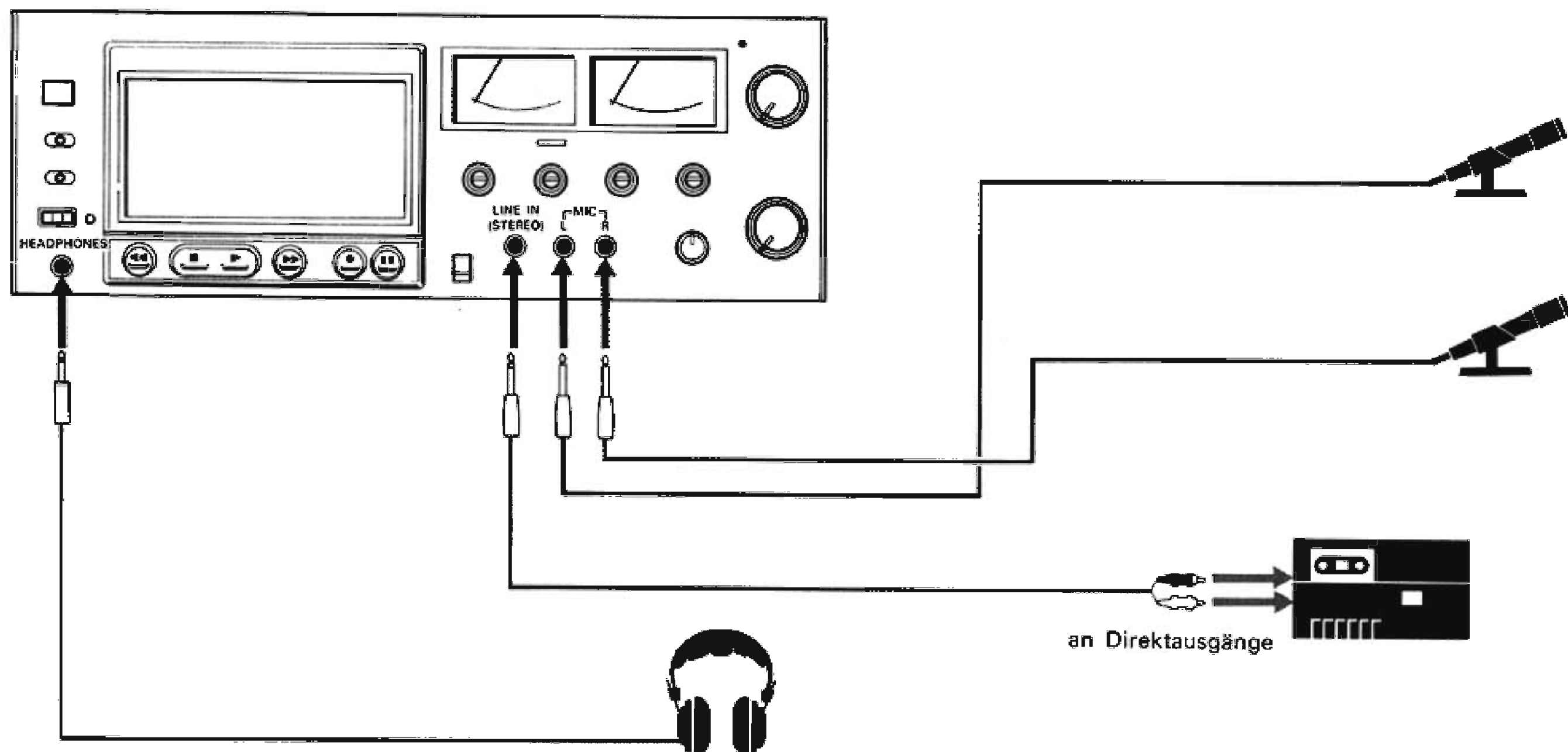
## Anschluß an einen Verstärker



## Anschluß zum Überspielen eines Bandes



## Anschlüsse auf der Vorderseite



### Ausgangspegelregler [LEVEL ADJUST]

Der Ausgangspegel der Phonobuchsen der Kassettenkomponente kann so eingestellt werden, daß er genau den Ausgangspegeln anderer Programmquellen, die an den Verstärker angeschlossen sind, entspricht. Wir empfehlen Ihnen, zum Vergleich UKW- oder Plattenspielerbetrieb heranzuziehen. Beim Angleichen des Ausgangspegels ändern Sie nicht die Einstellung des Lautstärke-reglers am Verstärker. Ist der Ausgangspegelregler [LEVEL ADJUST] bis zum Anschlag nach rechts gedreht, beträgt der geschätzte Ausgangspegel 0,775 V (0 dB). Der geschätzte Ausgangspegel der DIN-Buchse [REC/PB] ist auf 0,775 V fest eingestellt, d.h. er kann durch die Einstellungen am Ausgangspegelregler [LEVEL ADJUST] nicht verändert werden. Die Einstellungen dieses Reglers werden auf den VU-Metern nicht angezeigt.

### DIN-Anschluß [REC/PB]

- Der Anschluß über die Phonokabel wird empfohlen, da hierdurch ein besserer Signal-Rauschabstand erreicht wird.
- Die Verbindung zwischen dem DIN-Anschluß eines Verstärkers und den Phonobuchsen der Kassettenkomponente wird nicht empfohlen, da in diesem Fall die Eingangs- und Ausgangsempfindlichkeit und die Impedanz nicht richtig angepaßt sind.
- Wenn Sie über diese Buchse aufnehmen wollen, achten Sie darauf, alle Stecker aus den Mikrofonbuchsen [MIC] zu ziehen. Liegen Anschlüsse an DIN- und Mikrofonbuchsen [MIC], werden nur die Mikrofon-signale aufgenommen. Aus diesem Grund können Sie auch die Eingangssignale auf die DIN-Buchse nicht mit den Mikrofonsignalen mischen.

zuhören. Bei Anschluß an die DIN-Buchse ist dies nur über die Kopfhörerbuchse [HEADPHONES] der Kassettenkomponente möglich.

- Wenn Sie über diese Buchse aufnehmen, achten Sie darauf, den Mikrofondämpferschalter [MIC ATT] auf „0“ (0 dB) zu stellen, da sonst der Eingangspegel herabgesetzt wird.

### Fernbedienungsanschluß [REMOTE CONTROL]

Verbinden Sie die Sony-Fernbedienung RM-30 (gesondert lieferbar) mit diesem Anschluß. Das RM-30 ermöglicht sowohl „Aufnahmeabdämpfung“\* als auch Fernbedienung. Lesen Sie die Bedienungsanleitung des RM-30, bevor Sie sie zusammen mit der Kassettenkomponente verwenden.

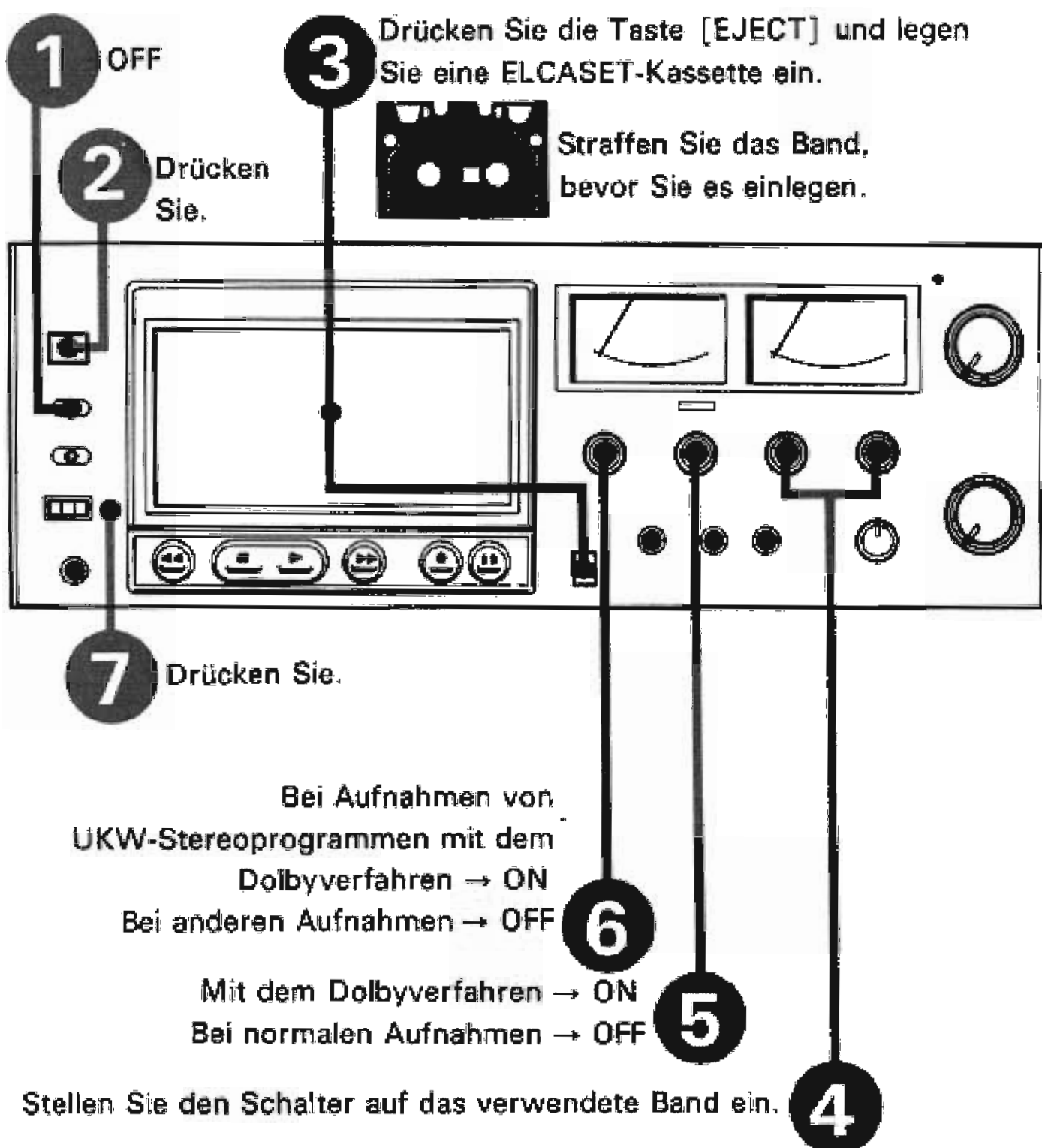
\* Diese Einrichtung ist praktisch, um unerwünschte Programme, wie Reklame im Radio, kurzzuschließen und dabei einen angemessenen Zwischenraum bei den Aufnahmen zu erreichen.

### Netzanschluß

Schließen Sie das Kabel erst an die Netzanschlußbuchse [~AC IN], dann an eine Steckdose an.

# AUFNAHME

Stellen Sie die Regler entsprechend der fortlaufenden Nummerierung der Schritte ein, bevor Sie den Aufnahmepegel aussteuern.



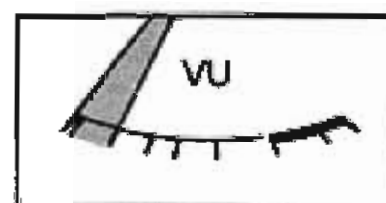
## Aufnahmen unter Verwendung der Pausentaste [■]

Sie können das Aufnehmen leichter starten, wenn Sie die Pausentaste [■] zu Hilfe nehmen. Anstelle von Schritt 1 drücken Sie die Pausentaste [■] und danach drücken Sie gleichzeitig die Aufnahme- [●] und Starttaste [▶]. Wenn Sie nur die Aufnahme starten wollen, drücken Sie die Pausentaste erneut, und die Aufnahme beginnt unmittelbar.

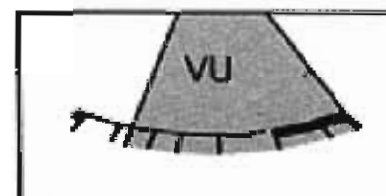
## Einstellung des Aufnahmepegels

Allgemein sollte der Aufnahmepegel so eingestellt werden, daß die Zeiger der VU-Meter beim höchsten Signalpegel des Programms möglichst geringe Ausschläge um den „0“-Punkt haben. Bei plötzlich auftretenden Pegelspitzen können die Zeiger kurzzeitig über „0“ ausschlagen, aber dies stellt kein Problem dar. Extrem kurze Impulse werden auch von Ihren Ohren nicht als Verzerrungen wahrgenommen.

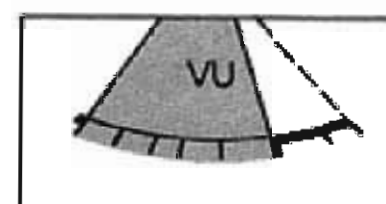
Die VU-Meter folgen auf Grund ihrer Trägheit jedoch nicht kurzzeitigen Einschaltspitzen und die angezeigten Werte liegen deshalb viel tiefer als die tatsächlichen Pegel. Kurzzeitige starke Pegelspitzen können bis zu +10 dB bis +15 dB erreichen, ohne daß die Zeiger von „0“ ausschlagen. Sie sollten das bei solchen Aufnahmen bedenken, um die kurzen Impulse aufzufangen.



Aussteuerung zu gering (Bandrauschen)



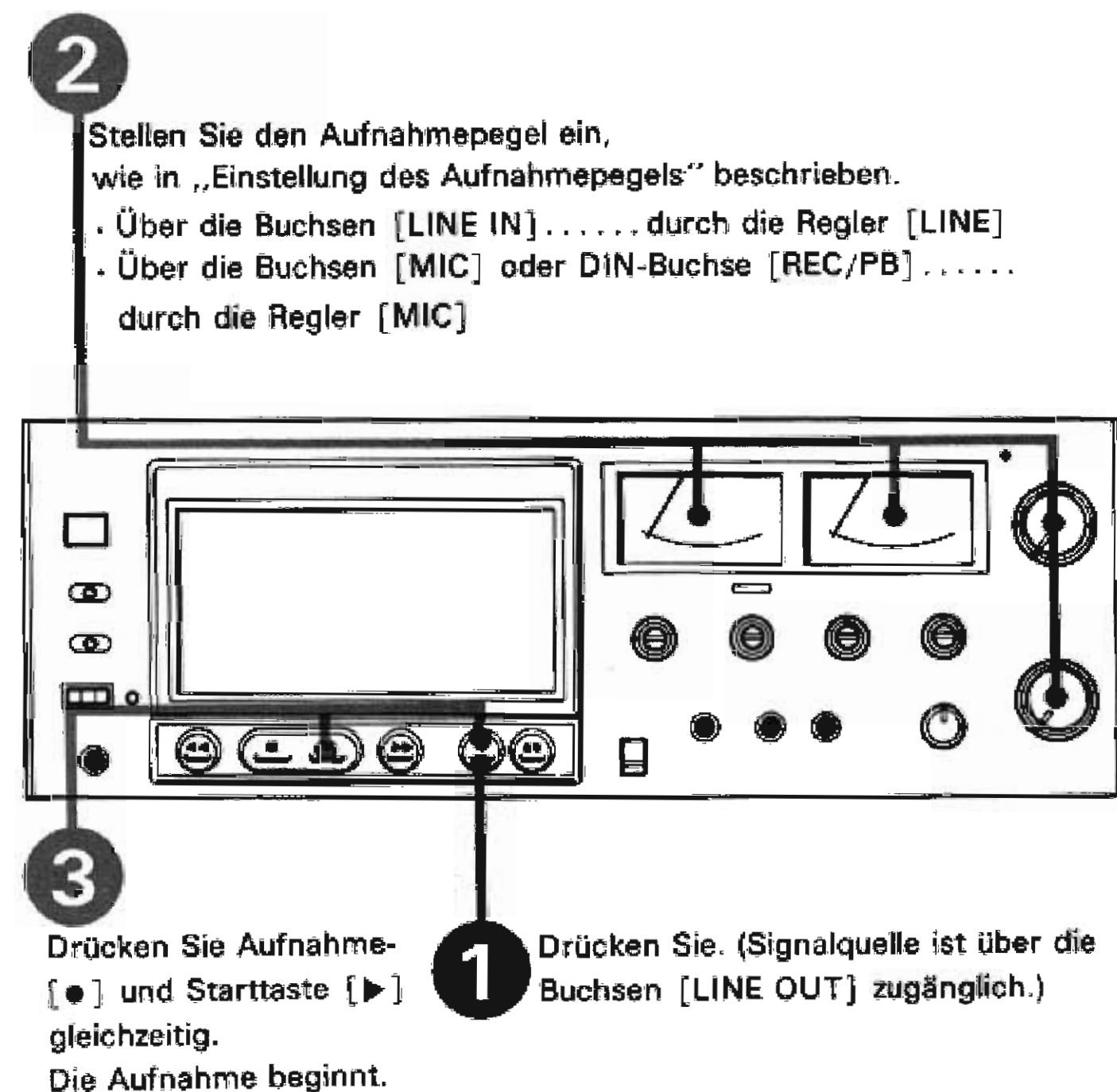
Aussteuerung zu hoch (Verzerrungen)



Richtige Aussteuerung

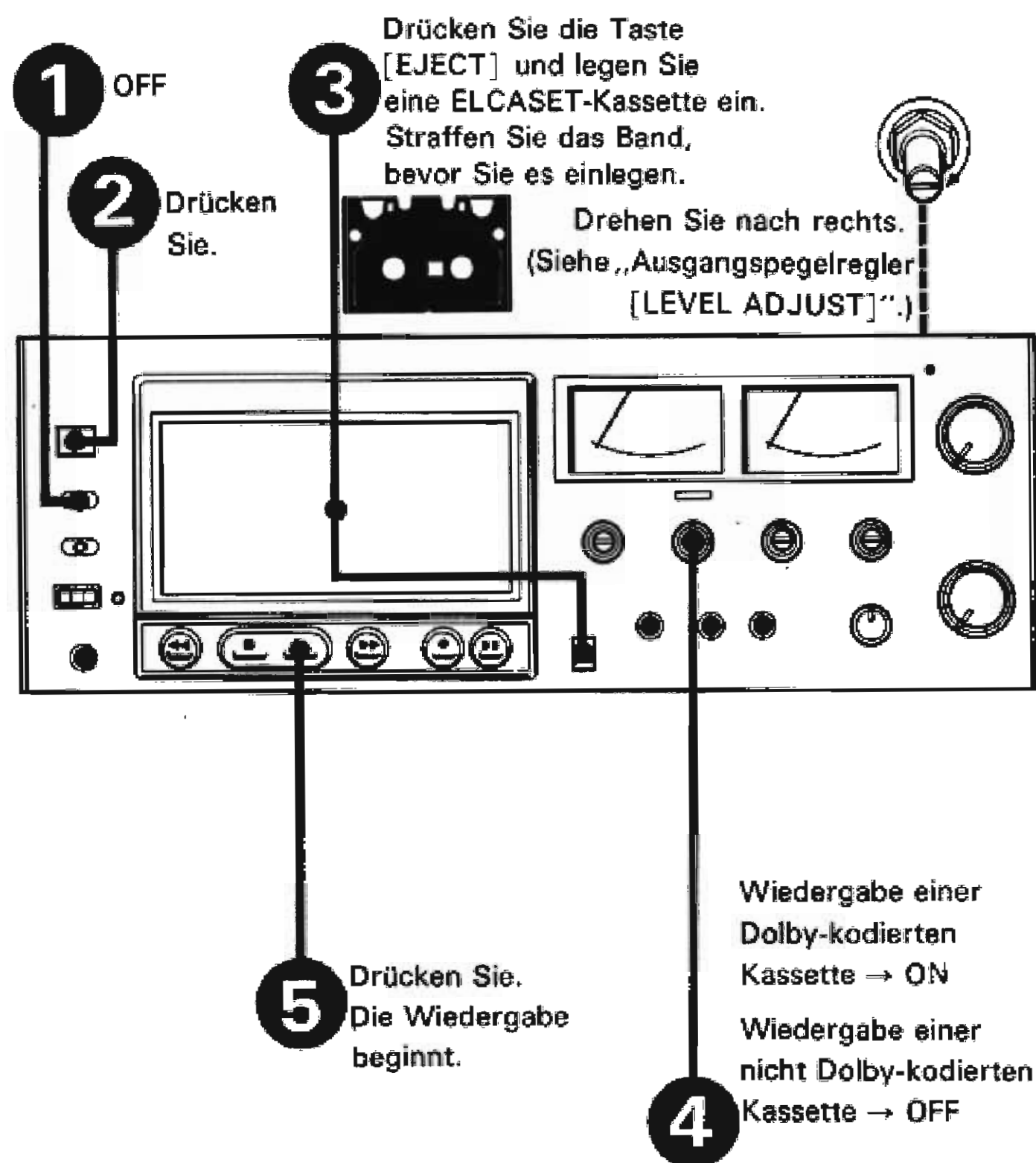
## Aufnahmen neuen Materials, während das Band läuft

Während das Band läuft, kann die Kassettenkomponente direkt von Wiedergabe auf Aufnahme geschaltet werden. Beim Abspielen des Bandes drücken Sie die Aufnahmetaste [●], während Sie gleichzeitig die Starttaste [▶] niedergedrückt halten. Die Aufnahme beginnt daraufhin.



## WIEDERGABE

Folgen Sie dem nummerierten Diagramm und die Wiedergabe beginnt.



## AUFNAHME NACH DEM DOLBYVERFAHREN

### Dolbyschalter [DOLBY NR]

Bei Aufnahme und Wiedergabe mit dem Dolby-Rauschunterdrückungsverfahren wird das hochfrequente Bandrauschen, das während der Aufnahme entsteht, vermindert und der Signal-Rauschabstand wird wesentlich verbessert. Während der Aufnahme verstärkt das Rauschunterdrückungssystem die leisen Signale des hohen Frequenzbereichs und trennt den Aufnahmepegel soweit wie möglich vom Rauschpegel. Bei der Wiedergabe werden die gleichen verstärkten Signale auf komplementäre Weise wieder abgeschwächt. Daraus resultiert, daß der Rauschpegel um den gleichen Betrag vermindert wird wie die verstärkten Signale. Folglich sollte ein Band, das im Dolbyverfahren aufgenommen wurde, mit dem Dolbyschalter [DOLBY NR] auf der Stellung ON wiedergegeben werden.

### Multiplexfilterschalter [MPX FILTER]

UKW-Stereoprogramme enthalten einen 19 kHz Pilotton und eine 38 kHz Hilfsträgerfrequenz, die die Funktion des Dolbysystems beeinträchtigen können. Das Multiplexfilter sibt diese Signale heraus, so daß die Stromkreise für die Rauschunterdrückung korrekt aktiviert werden. Bei Aufnahmen von UKW-Stereoprogrammen nach dem Dolbyverfahren achten Sie darauf, den Multiplexfilterschalter [MPX FILTER] auf ON zu stellen. Bei der Aufnahme anderer Programme stellen Sie diesen Schalter auf OFF.

## LÖSCHEN

Ist das Gerät im Aufnahmebetrieb, arbeitet der Löschkopf und alle früher gemachten Aufnahmen werden automatisch gelöscht. Um ohne neu aufzunehmen, ein Band zu löschen:

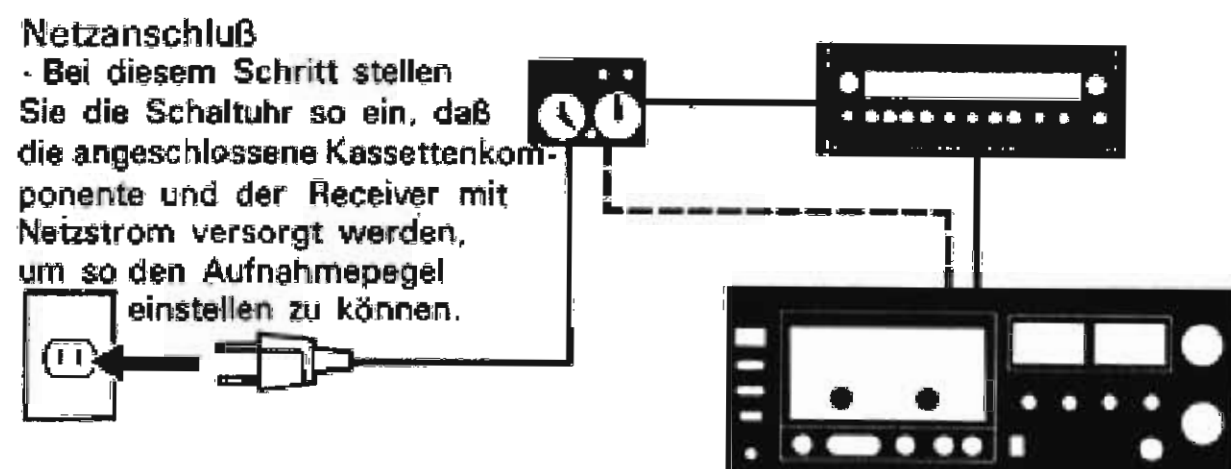
- 1 Achten Sie darauf, daß der Löschsicherungsriegel der Kassette nicht heruntergeschoben ist.
- 2 Drehen Sie alle Aufnahmepegelregler [REC LEVEL] völlig auf 0%. (Wenn alle Eingänge abgetrennt sind, wird eine vollständige Löschung besser erreicht.)
- 3 Stellen Sie den Vormagnetisierungswähler [BIAS] entsprechend dem verwendeten Band ein.
- 4 Drücken Sie Aufnahme-[●] und Starttaste [▶] gleichzeitig. Das Löschen beginnt.

## ZEITGESTEUERTE AUFNAHME UND WIEDERGABE

Unter Verwendung einer handelsüblichen Schaltuhr ist automatisches Aufnehmen und Wiedergeben zu jeder gewünschten Zeit möglich. Dauerbetrieb ist ebenfalls möglich, wobei die Schaltuhr beliebig oft den Rekorder ein- und ausschalten kann.

### Aufnahmen

① Stellen Sie alle Verbindungen zwischen Kassettenteile, Receiver und Schaltuhr her.



② Schalten Sie den Receiver ein und wählen Sie den Sender, dessen Programm Sie aufnehmen wollen.

③ Stellen Sie den Zeitschalter [TIMER] der Kassettenteile auf OFF.

④ Legen Sie eine ELCASET-Kassette ein. (Achten Sie darauf, daß der Löschsicherungsriegel nicht nach unten geschoben ist.)

⑤ Schalten Sie die Kassettenteile an und regeln Sie den Aufnahmepegel ein.

⑥ Stellen Sie die Schaltuhr auf die gewünschte Zeit ein. (Alle Geräte, die zu dieser Zeit miteinander verbunden sind, werden ausgeschaltet.)

⑦ Stellen Sie den Zeitschalter [TIMER] der Kassettenteile auf REC. Das Gerät ist nun für den automatischen Start der Aufnahme zu der an der Schaltuhr eingestellten Zeit bereit.

### Wiedergabe

① Die Anschlüsse für die Wiedergabe sind die gleichen wie für die Aufnahme.

② Stellen Sie den Zeitschalter [TIMER] der Kassettenteile auf OFF.

③ Legen Sie eine bespielte Kassette ein.

④ Schalten Sie die Kassettenteile ein und stellen Sie die Regler des Verstärkers zur Wiedergabe entsprechend ein.

⑤ Stellen Sie die Schaltuhr auf die gewünschte Zeit ein.

⑥ Stellen Sie den Zeitschalter [TIMER] der Kassettenteile auf PLAY. Das Gerät ist somit für den automatischen Start der Wiedergabe zu der an der Schaltuhr eingestellten Zeit bereit.

### Hinweise

● Lesen Sie die Bedienungsanleitung der Schaltuhr sorgfältig durch, bevor Sie sie verwenden.

● Der Zeitschalter [TIMER] ist so aufgebaut, daß er den zeitgesteuerten Betrieb über die erste Schaltuhr auslöst, nachdem die Spannung sofort eingeschaltet ist (ON). Er spricht nicht an, wenn die Schrittfolge in der Bedienung umgekehrt wird. Im letzteren Fall jedoch, wenn die Zeit zwischen dem Einschalten der Spannung und dem darauffolgenden Einstellen des Zeitschalters [TIMER] zu kurz ist (weniger als 1,5 Sekunden), kann es zu Fehlauflösungen eines zeitgesteuerten Betriebs kommen. Um dies zu vermeiden, ändern Sie die Einstellung des Zeitschalters [TIMER] nicht mehr, nachdem er einmal auf REC oder PLAY gesetzt ist.

## MISCHEN VON AUFNAHMEN ÜBER MIKROFON UND DIREKTEINGANG

Mit Hilfe der vier unabhängigen Aussteuerungsregler ([LINE] für die Direkteingänge [LINE IN], [MIC] für die Mikrofonbuchsen [MIC] bzw. den DIN-Anschluß [REC/PB]) können Programme gemischt werden.

① Schließen Sie die Programmquellen an die entsprechenden Eingänge an.

② Stellen Sie den Aufnahmepegel mit den geeigneten Reglern ein. Die VU-Meter zeigen dabei den gemeinsamen Aufnahmepegel an. Mithören über den Kopfhörer erleichtert die Einstellung des Mischpegels.

③ Starten Sie die Aufnahme.

● Nach Beendigung der Mischaufnahme vergessen Sie nicht, die nicht mehr benutzten Aussteuerungsregler ganz auf „0“ zurückzudrehen.

## FUNKTION DES ZÄHLWERKSPEICHERS

Der Speicherschalter [MEMORY] dient dazu, eine bestimmte Stelle des Programmes beim Rückspulen exakt wiederzufinden, gleichgültig, ob es sich um den Anfang oder jede beliebige andere Stelle des bespielten Bandes handelt.

① Suchen Sie den gewünschten Startpunkt und drücken Sie den Rückstellknopf zur Speicherung dieses Punktes auf dem Zählwerk (Anzeige „000“).

② Stellen Sie den Speicherschalter [MEMORY] wie folgt ein:

START: um unmittelbar aus dem Rückspul- in den Wiedergabebetrieb zu gehen.

STOP: um beim Rückspulen das Band an dieser Stelle zu stoppen.

③ Spielen Sie ein Band ab (oder nehmen Sie auf).

④ Drücken Sie die Rücklauf-taste [◀], um das Band zurückzuspulen. Bei der Zählwerk-anzeige „999“ (eine Ziffer vor „000“, um zu vermeiden, daß der Startpunkt des Programmes weggeschnitten wird) stoppt das Band oder geht automatisch in den Wiedergabebetrieb.

### Hinweise

● Um das Band über die „000“-Marke hinaus zurückzuspulen, drücken Sie erneut die Rücklauf-taste [◀].

● Wenn Sie die Funktion des Zählwerkspeichers am Anfang des Bandes ausnutzen wollen (für die Wiedergabe), spulen Sie den Teil mit dem durchsichtigen Führungsband auf, weil hier der automatische Abschaltmechanismus (er arbeitet nach dem photoelektrischen Prinzip) anspricht, bevor das Zählwerk die „000“-Marke erreicht.

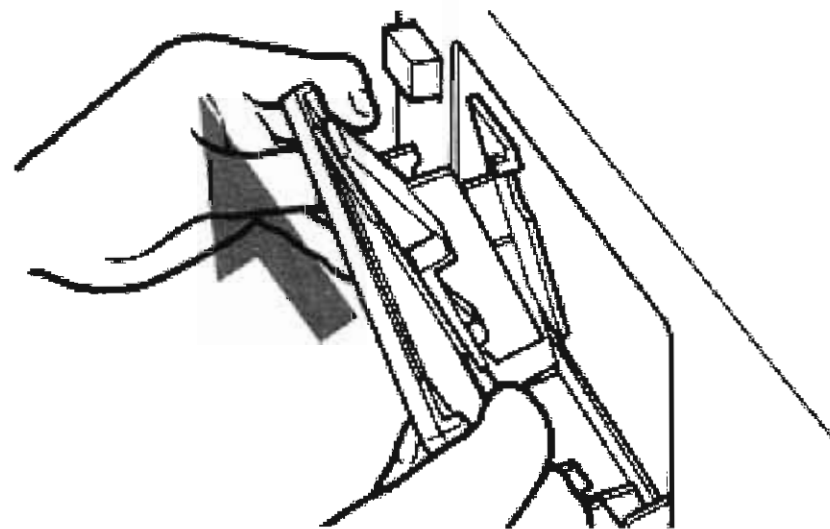
● Halten Sie die Rücklauf-taste [◀] gedrückt, während das Band zurückgespult wird, wird es nicht gestoppt (oder geht in den Wiedergabebetrieb), wenn die „999“-Marke erreicht wird. Das liegt daran, daß das Gerät\* in diesem Fall im einfachen Rücklaufbetrieb arbeitet.

# WARTUNG UND PFLEGE

## Reinigen der Tonköpfe und Bandführungen

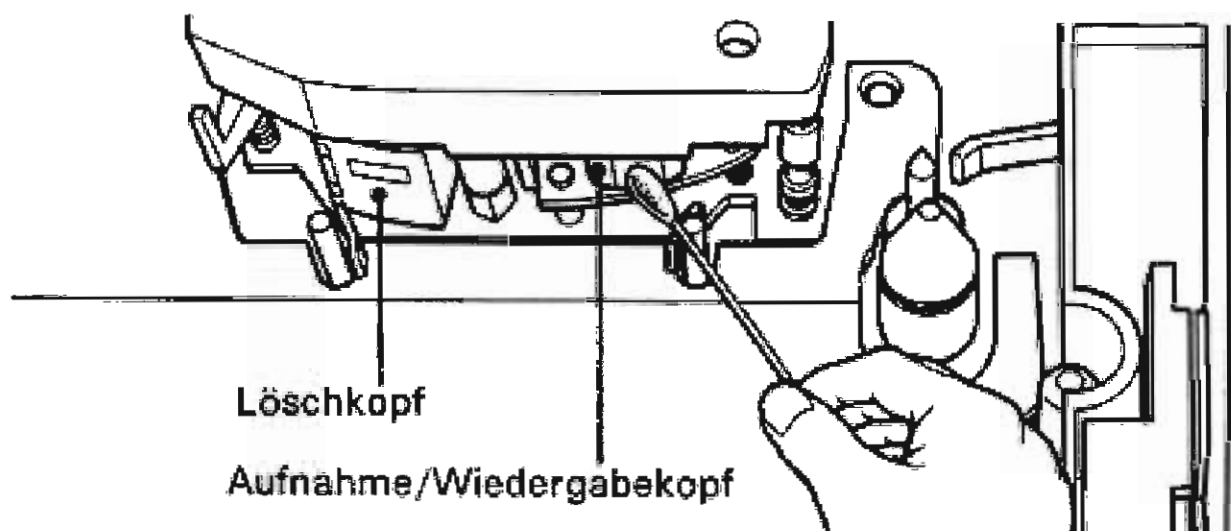
Im allgemeinen ist ein Reinigen der Tonköpfe nach jeweils 10 Betriebsstunden ausreichend. Falls jedoch besonders hohe Ansprüche an die Aufnahmequalität gestellt werden, sollten vorher alle Stellen, über die das Band läuft, gereinigt werden.

➊ Drücken Sie die Kassettenauswurf-taste [EJECT], um die EL-CASET-Kassettenhalterung zu öffnen, und nehmen Sie den Deckel ab.

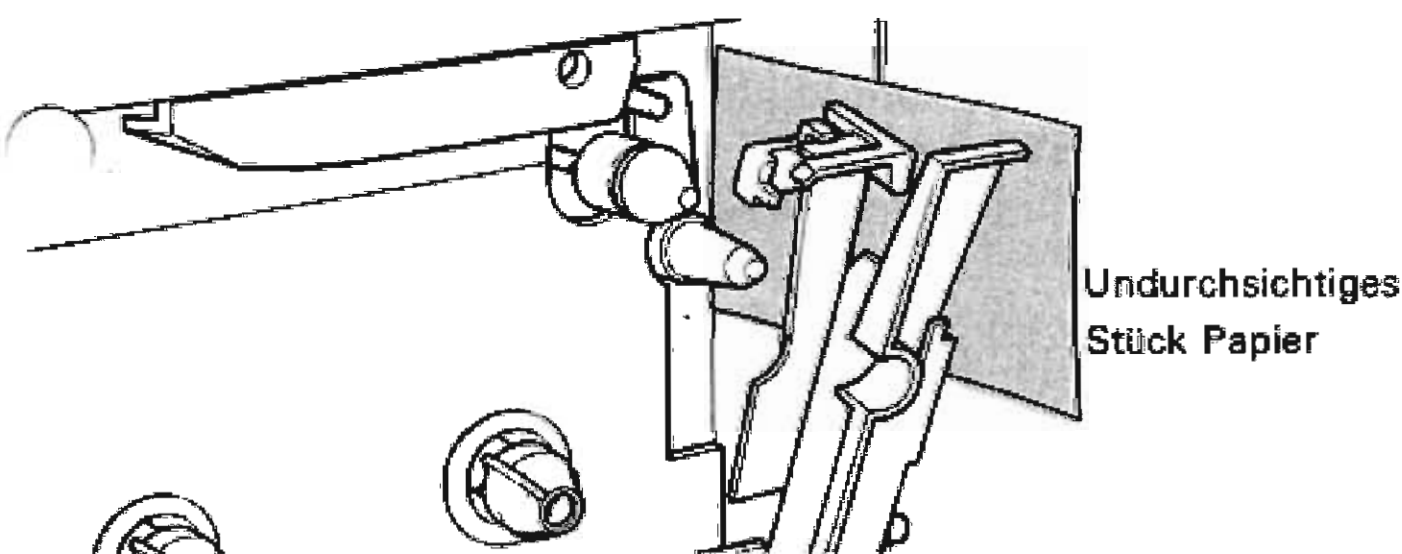


➋ Drücken Sie den Haltebügel nach innen.

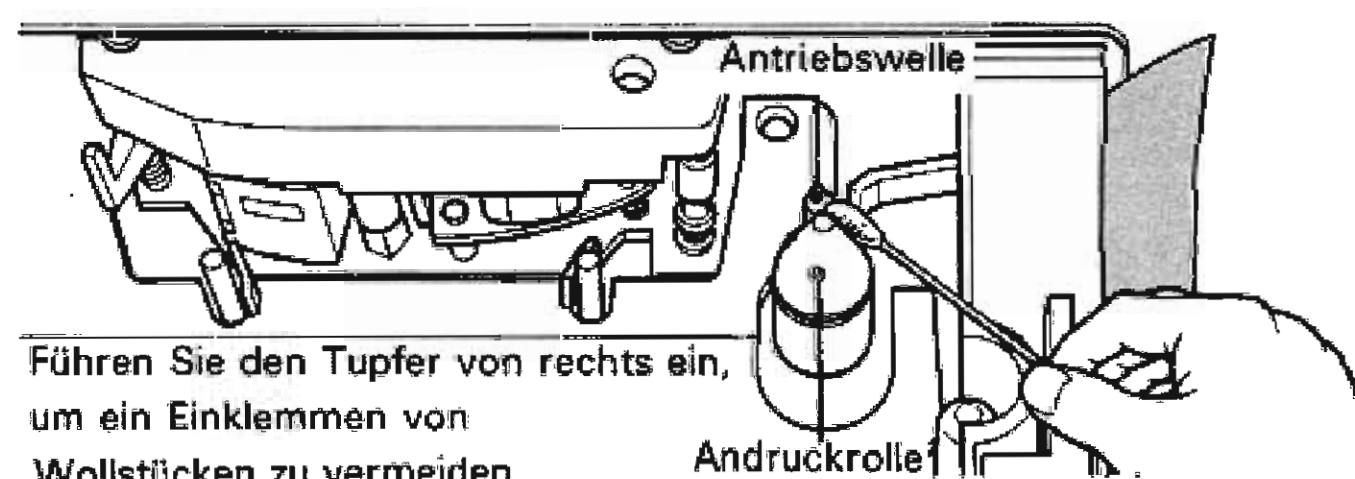
➌ Wischen Sie die Tonköpfe mit dem leicht mit Alkohol befeuchten Reinigungstupfer ab. (Wenn der Tupfer zu stark mit Alkohol getränkt ist, drücken Sie ihn vorher aus.)



➍ Schieben Sie ein undurchsichtiges Stück Papier wie abgebildet ein. Dadurch wird der schwache Lichtstrahl, der von der Lampe des Führungspols (im Abschalt-system) ausgeht, unterbrochen, so daß der automatische Abschaltmechanismus während dem Reinigen nicht aktiviert wird.



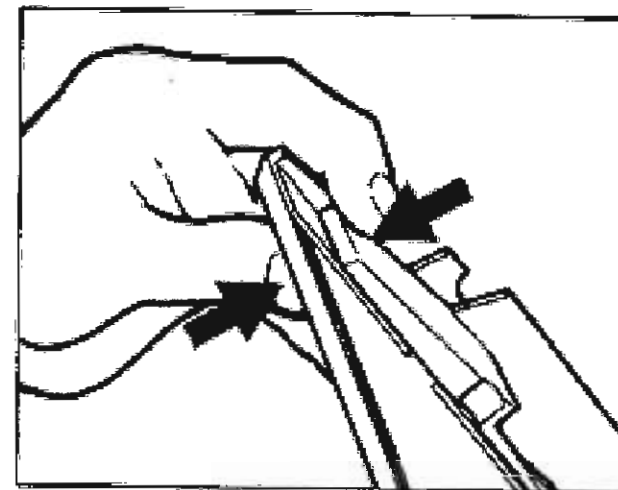
➎ Schalten Sie den Netzschalter [POWER] ein (ON) und drücken Sie die Starttaste [▶]. Reinigen Sie die Antriebswelle und die Andruckrolle, während sie rotieren.



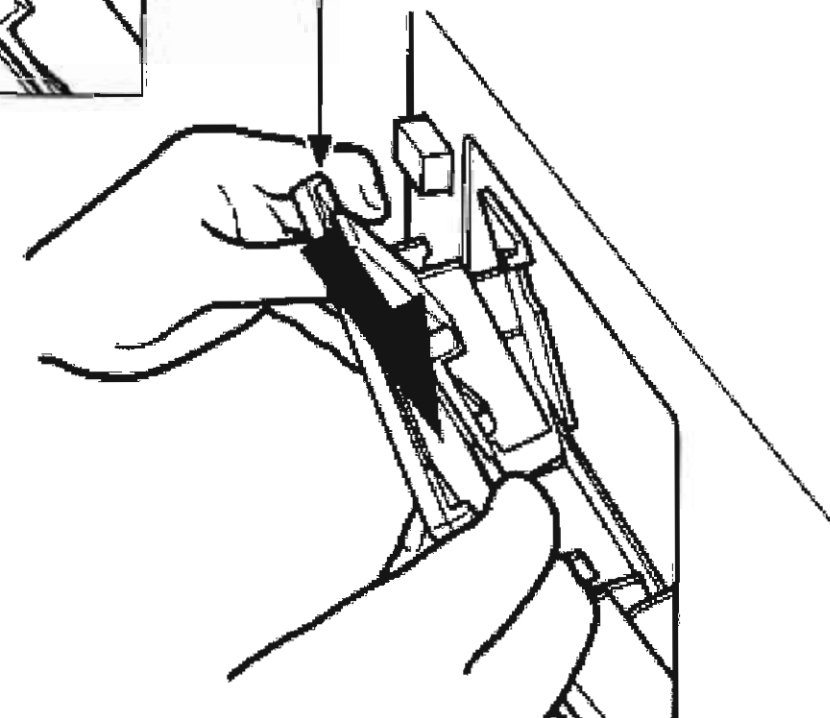
Führen Sie den Tupfer von rechts ein, um ein Einklemmen von Wollstücken zu vermeiden.

➏ Nach der Reinigung drücken Sie die Stoptaste [■].

➐ Drücken Sie die Kassettenauswurf-taste [EJECT], um den Deckel wieder einzusetzen.



Bringen Sie den Deckel und Haltebügel wie in der Abbildung gezeichnet übereinander und drücken Sie den Deckel leicht nach unten.



➑ Legen Sie keine EL-CASET-Kassette ein, solange der Alkohol auf den frischgereinigten Teilen nicht vollständig verdunstet ist.

## Entmagnetisierung der Tonköpfe

Bei andauerndem Gebrauch steigt der Restmagnetismus in den Tonköpfen allmählich an und verursacht Löschen hoher Frequenzen und Rauschen. Die Tonköpfe und die Metallteile der Bandführung sollten nach 20 bis 30 Betriebsstunden mit einem handelsüblichen Tonkopf-Entmagnetisierer entmagnetisiert werden. Achten Sie darauf, daß dabei die Kassettenkomponente ausgeschaltet ist.

## Reinigung des Gehäuses

Reinigen Sie Gehäuse, Oberfläche und Regler mit einem weichen Tuch, das mit einer milden Seifenlösung leicht angefeuchtet ist. Verwenden Sie zur Reinigung weder Scheuerpulver noch Alkohol oder Benzin.

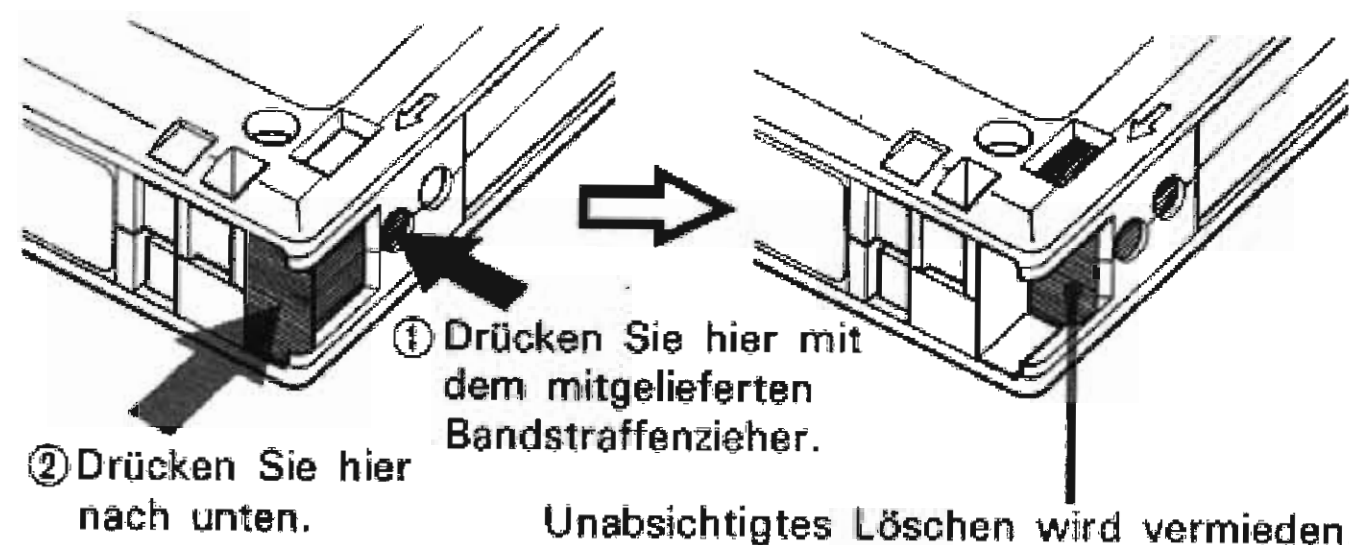
## Innere Überprüfung

Wenden Sie sich jährlich einmal an Ihren nächsten Sony Händler, um immer einen optimalen Betriebszustand Ihres Gerätes zu erhalten.

## HINWEISE ZU ELCASET-KASSETTEN

### Löschsicherungsriegel

Um ein bespieltes Band vor unbeabsichtigtem Löschen zu schützen, schieben Sie den Riegel auf der gewünschten Seite (durch die Pfeilmarkierung erkennbar) nach unten. Schieben Sie den Riegel wieder nach oben, um erneut auf das Band aufzunehmen zu können.



### Pflege der ELCASET-Kassette

- Bevor Sie eine ELCASET-Kassette einlegen, straffen Sie das Band, um zu verhindern, daß es sich um die Bandantriebswelle schlingt.
- Aufklappbare Bandschützer und Drehverriegler sind bei der ELCASET-Kassette vorgesehen, um das Band vor Beschädigungen zu schützen. Nachlässiger Umgang mit diesen Teilen kann das Band zerstören.
- Vermeiden Sie es, das Band im Schnellvorlauf oder Rücklauf umzuspulen, bevor Sie die Kassette längere Zeit lagern, da hierdurch das Band an den Rändern gedehnt werden kann.
- Schützen Sie die ELCASET-Kassette vor starken mechanischen Erschütterungen. Lassen Sie sie nicht fallen.
- Halten Sie die ELCASET-Kassette von magnetischen Geräten wie Lautsprecher, Verstärker usw. entfernt, da sonst auf Ihrem bespielten Band Teile gelöscht oder verzerrt werden können.
- Setzen Sie die ELCASET-Kassette nicht direktem Sonnenlicht, extremer Kälte oder Feuchtigkeit aus.
- Schützen Sie die ELCASET-Kassette vor Staub, indem Sie sie in ihrer Hülle aufbewahren. Selbst kleinere Schmutzreste oder Staub können zu einer Verschmutzung der Köpfe führen, was wiederum erhöhtes Bandrauschen und Klanglöcher (drop outs) zur Folge hat.
- Wenn Sie das Band längere Zeit nicht verwenden, lassen Sie es gelegentlich durchlaufen, um das Auftreten eines Kopier-effektes zu vermeiden.

## BESONDERE MERKMALE

Die Schaltlogik der Funktionstasten ermöglicht einerseits das Ansprechen der Tasten auf leichte Berührungen, zum andern das direkte Umschalten von einem Betriebszustand in einen anderen, ohne das Band zu beanspruchen.

Die hochempfindlichen F&F (Ferrit und Ferrit)-Tonköpfe garantieren eine höhere Tonkopflebensdauer und stabile Aufnahme- und Wiedergabecharakteristiken.

Bei direktgekoppeltem System ist der Kopf direkt mit dem FET der ersten Stufe des Wiedergabeverstärkers verbunden, woraus bessere Signal-Rauschcharakteristiken resultieren.

Zeitgesteuertes Aufnehmen und Wiedergeben ist möglich.

Unter Verwendung des eingebauten Dolby-Rauschunterdrückungssystems bei Aufnahme und Wiedergabe, wird das hochfrequente Bandrauschen erheblich vermindert und der Signal-Rauschabstand wesentlich verbessert. Ein Multiplexfilter ist eingebaut, um den 19 kHz Pilotton und die 38 kHz Hilfsträgerfrequenz bei Aufnahmen von UKW-Stereosendungen herauszusieben, was die Arbeitsweise des Dolbysystems gewährleistet.

Mit dem Kopfhörerpegelregler [PHONES LEVEL] können Sie den Kopfhörerpegel nach Ihrem Geschmack einstellen.

## TECHNISCHE DATEN

Stromversorgung	110, 120, 220 oder 240 V Wechselspannung 50/60 Hz
Leistungsaufnahme	44 W
Halbleiterbestückung	4 IC, 82 Transistoren, 60 Dioden 2 FET, 1 Fototransistor
Bandgeschwindigkeit	9,5 cm/s
Schnellvorlauf- und Rücklaufzeit	ca. 75 Sek. (bei LC-60)
Aufnahmesystem	4-Spur, 2-Kanal-Stereo
Vormagnetisierungsfrequenz	160 kHz
Signal-Rauschabstand	DOLBY NR OFF <ul style="list-style-type: none"> <li>● Mit Typ II ELCASET (FeCr) <ul style="list-style-type: none"> <li>62 dB bei Spitzenpegel (NAB)</li> <li>62 dB (DIN, Ausg. 1975)</li> <li>54 dB (DIN, früher)</li> </ul> </li> <li>● Mit Typ I ELECASET (SLH) <ul style="list-style-type: none"> <li>59 dB bei Spitzenpegel (NAB)</li> <li>59 dB (DIN, Ausg. 1975)</li> <li>51 dB (DIN, früher)</li> </ul> </li> </ul>
	DOLBY NR ON <ul style="list-style-type: none"> <li>Um 5 dB bei 1 kHz, um 10 dB oberhalb 5 kHz verbessert</li> </ul>
Gesamter Klirrgrad	0,8%
Frequenzgang	DOLBY NR OFF <ul style="list-style-type: none"> <li>● Mit Typ II ELCASET (FeCr) <ul style="list-style-type: none"> <li>15—25.000 Hz (NAB)</li> <li>25—20.000 Hz <math>\pm 3</math> dB (NAB)</li> <li>20—22.000 Hz (DIN)</li> </ul> </li> <li>● Mit Typ I ELCASET (SLH) <ul style="list-style-type: none"> <li>15—23.000 Hz (NAB)</li> <li>25—18.000 Hz <math>\pm 3</math> dB (NAB)</li> <li>20—20.000 Hz (DIN)</li> </ul> </li> </ul>
Gleichlaufschwankungen	0,06% WRMS (NAB), $\pm 0,12\%$ (DIN)
Eingänge	Mikrofoneingänge (Klinkenbuchse) . . . 2 Empfindlichkeit 0,3 mV (–68 dB) für niederohmiges Mikrofon Direkteingänge (Stereo-Klinkenbuchse) 1 (Phonobuchse) . . . . . 2 Empfindlichkeit 0,095 V (–18 dB) Eingangsimpedanz 100 kOhm
Ausgänge	Direktausgänge (Phonobuchse) . . . . . 2 Ausgangspiel 0,775 V (0 dB) bei Belastungsimpedanz 100 kOhm mit dem Wiedergabepegelregler [LEVEL ADJUST] ganz nach rechts gedreht geeignete Belastungsimpedanz mehr als 10 kOhm Kopfhörerausgang . . . . . 1 geeignete Belastungsimpedanz 8—32 Ohm
DIN-Anschluß für Aufnahme/Wiedergabe	Eingangsimpedanz unter 10 kOhm Ausgangsimpedanz unter 10 kOhm
Abmessungen	ca. 430 x 170 x 320 mm (B/H/T) einschl. vorspringender Teile und Bedienungselemente
Gewicht	ca. 10,5 kg
Mitgeliefertes Zubehör	Verbindungskabel RK-74H (2) Tonkopfreinigungstupfer (1 Satz) Bandstraffenzieher

## ELCASET—Ein neues Audioaufnahmesystem

Auf dem Audio-Markt haben sich die Kompaktkassetten nach dem Philips-Standard schnell durchgesetzt und finden auf Grund ihrer einfachen Handhabung und fortschreitenden technischen Entwicklungen auch auf dem Hi-Fi-Gebiet immer mehr Verwendung. Andererseits werden Spulentonbänder wegen ihrer qualitativ sehr hohen Klangwiedergabe, die wohl schwerlich von Kompaktkassetten erreicht werden kann, von enthusiastischen Musik- und Tonbandfreunden nach wie vor bevorzugt.

Ihr neues „ELCASET“-System verwirklicht nicht nur die Vorteile der beiden genannten Systeme—die bequeme Handhabung der Kompaktkassetten und die hochqualifizierte Klangwiedergabe bei Spulentonbändern—, sondern bietet zudem noch folgende neue Besonderheiten.

### Erweiterter dynamischer Bereich

Das ELCASET-Band ist 6,3 mm breit und wird mit einer Bandgeschwindigkeit von 9,5 cm/s abgespielt. Daraus resultiert sowohl ein größerer Frequenz- als auch ein erweiterter dynamischer Bereich (bemerkbar durch größere Klangfülle) als bei Kompaktkassetten.

Daß für die Tonköpfe reichlich Platz zu Verfügung steht, ist als deutlicher Unterschied bei der Wiedergabe vieler Aufnahmen zu spüren. (Abb. ①)

### Sicherer Bandtransport

Bei herkömmlichen Kompaktkassetten wird das Band durch die Bandführungsbolzen in der Kassette geleitet und die Genauigkeit des Bandtransportes hängt sehr stark von der präzisen Verarbeitung des Kassettengehäuses ab. Das war ein Hindernis, um bei Kompaktkassetten hohe Klanggüte zu erreichen.

Bei der ELCASET-Kassette ist das Band zwar ebenfalls in einem Gehäuse untergebracht, aber es wird bei der Verwendung automatisch durch den Transportmechanismus des Rekorders herausgezogen. Aus diesem Grund hat die Verarbeitung des Gehäuses keinen Einfluß auf die Sicherheit des Bandlaufs. (Abb. ②)

### Bandspuraufteilung ermöglicht sowohl Stereo- als auch Monobetrieb

Die ELCASET-Kassette hat das gleiche Bandformat wie eine Kompaktkassette. Das bedeutet, das Band ist in zwei Hälften, Seite A und Seite B, geteilt und jede Seite erlaubt entweder Stereo- oder Monoaufnahmen und Wiedergaben.

Diese Spurmusterzuweisung ermöglicht sowohl Stereo- als auch Monobetrieb.

Die 4-Spur Bandweite in der ELCASET-Kassette ist fast doppelt so breit als bei Kompaktkassetten und ungefähr gleich der Bandweite von 4-Spur Spulentonbändern. Dies liefert den gleichen hervorragenden Signal-Rauschabstand, der bei Spulenbändern erreicht wird.

Änderungen, die dem technischen Fortschritt dienen, bleiben vorbehalten.



### Bandschützer

Auf der linken und rechten Vorderseite der ELCASET-Kassette sind Bandschützer angebracht. Wird die ELCASET-Kassette aus dem Rekorder herausgenommen, werden die Bandschützer zum Schutz des Bandes geschlossen. Die Bandschützer werden automatisch von dem Rekorder wieder geöffnet, wenn die ELCASET-Kassette eingelegt ist und eine der Funktionstasten gedrückt wird. (Abb. ③)

### Drehverriegler

Eine ELCASET-Kassette ist mit Drehverrieglern ausgestattet, die die Drehung der Räder verhindert und das Band davor schützt, sich zu lockern, wenn es aufbewahrt wird. Die Drehverriegelung wird durch den Rekorder automatisch gelöst, wenn die ELCASET-Kassette eingelegt wird. (Abb. ④)

### Löschsicherungsriegel

Kompaktkassetten werden vor unbeabsichtigtem Löschen dadurch geschützt, daß man die Sicherungsplättchen der Kassette herausbricht. Ist das Sicherungsplättchen herausgebrochen, kann eine Kassette nicht mehr geladen werden, ohne daß man die Sicherungslöcher wieder abdeckt. Bei der ELCASET-Kassette wird das Band einfach durch verschiebbare Riegel vor unbeabsichtigtem Löschen geschützt. (Abb. ⑤)

### Bandtypen

Es gibt drei verschiedene Typen von ELCASET-Kassetten, die auf dem Bezeichnungsschild angegeben werden. TYPE I hat die besondere Eigenschaft der rauscharmen Wiedergabe (low noise—Sony-Bezeichnung SLH). TYPE II liefert die gleichen Aufnahme- und Wiedergabeergebnisse wie ein FeCr-Band. TYPE III entspricht einem CrO<sub>2</sub>-Band. Zum Erzielen optimaler Aufnahme- und Wiedergabequalität stellen Sie den Bandartenwähler des Rekorders auf das verwendete Band ein.

### Automatisches Abschalten durch das Führungsband am Ende einer ELCASET-Kassette

Eine ELCASET-Kassette besitzt an beiden Bandenden Führungs-bänder. Wird eine ELCASET-Kassette auf einem Rekorder abge-spielt, dessen Endabschaltung nach dem photoelektrischen Prinzip arbeitet, wird das Band am Ende in jeder Betriebsart automatisch angehalten. Die Kassettenkomponente reagiert auf das transparente Führungsband und aktiviert den automatischen Abschalt-mechanismus.

### Technische Daten der ELCASET-Kassette

Bandgeschwindigkeit	9,5 cm/s
Bandbreite	6,3 mm
Zeitkonstante	3180 $\mu$ sek + 70 $\mu$ sek
Bezugsaufnahmeregel	185 nwb/m
Bandtypen	TYPE I, II, III
Abmessungen	Siehe Abb. ⑥

Dynamischer Bereich

